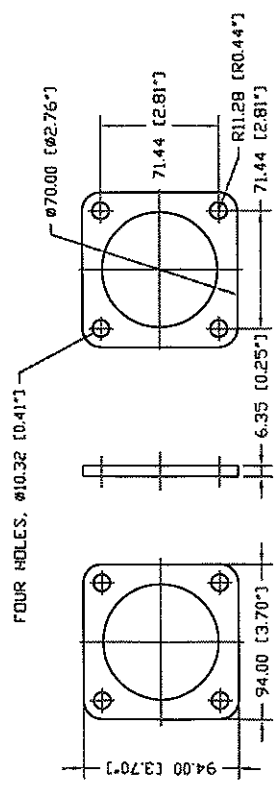
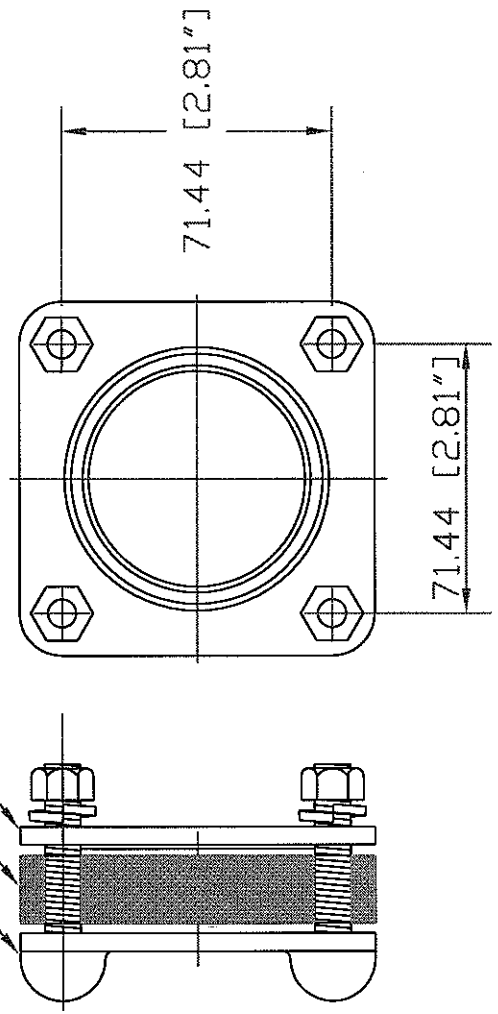


REVISIONS

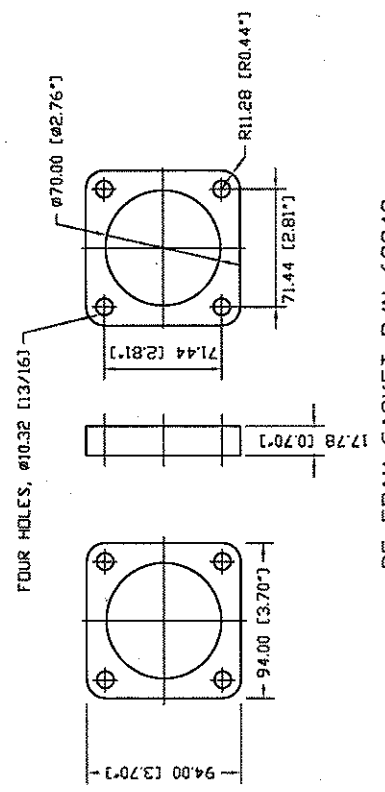
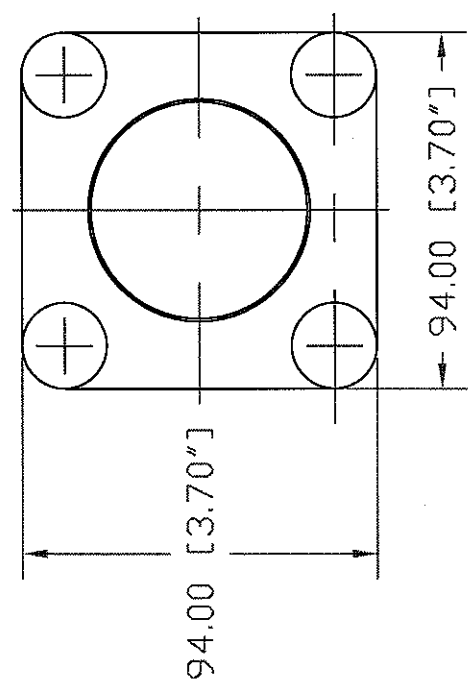
ZONE	REV	DESCRIPTION	DATE	APPROVED

CAST BACK PLATE
 ONE GASKET REQ'D TO COMPLETE FITTING

FRONT PLATE



EPDM GASKET - P/N 63206
 VITON GASKET - P/N 63225



PE FOAM GASKET P/N 62848

NORWESCO
 ST. BONIFACIUS, MN

2" SS BOLTED FITTING
 ASSEMBLY, SINGLE THD

JTP 05MAR01	SIZE A	FSCM NO.	DWG NO. 62847	REV
SCALE 1/2			SHEET	