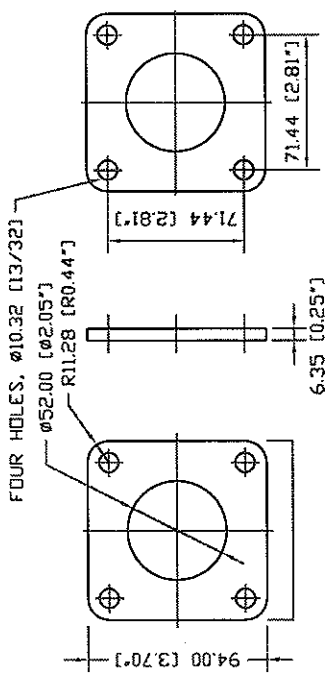
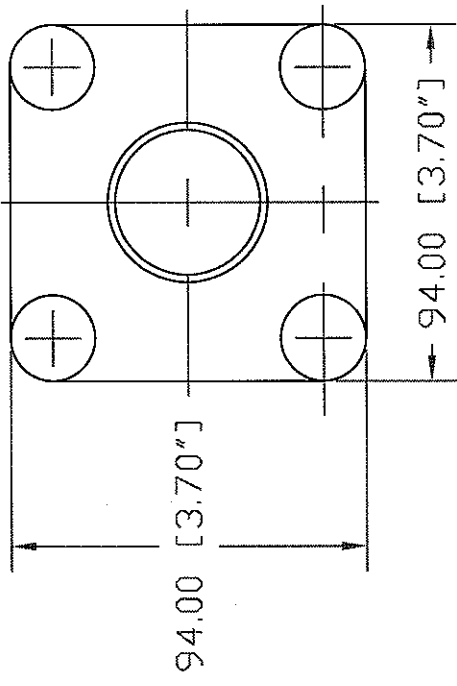


REVISIONS

ZONE	REV	DESCRIPTION	DATE	APPROVED



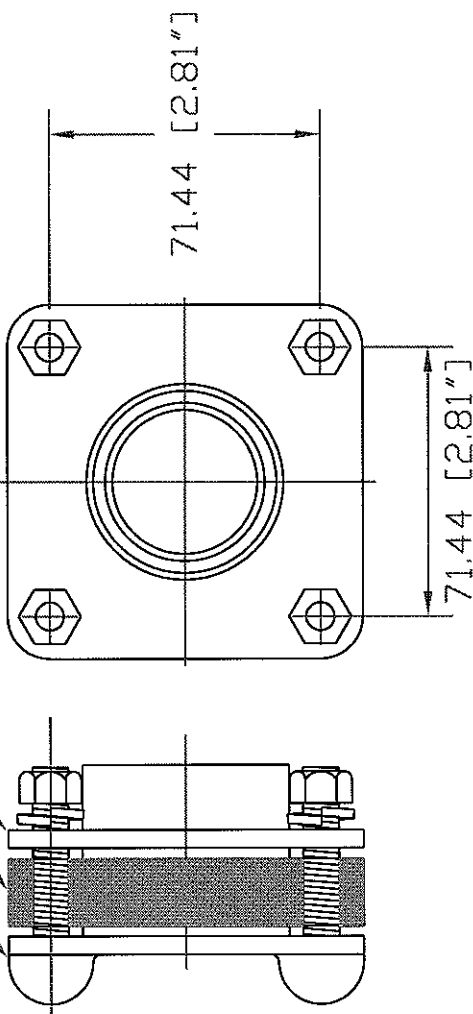
EPDM GASKET P/N 63206
 VITON GASKET P/N 63225
 1/4" SCALE



PE FOAM GASKET P/N 63041
 1/4" SCALE

CAST BACK PLATE
 ONE GASKET REQ'D TO
 COMPLETE FITTING

FRONT PLATE



NORWESCO
 ST. BONIFACIUS, MN

1 1/4" SS BOLTED FITTING
 ASSEMBLY, DOUBLE THD

JTP	20AUG01	SIZE	FSCM NO.	DWG NO.	REV
		A		63036	
SCALE 1/2				SHEET	