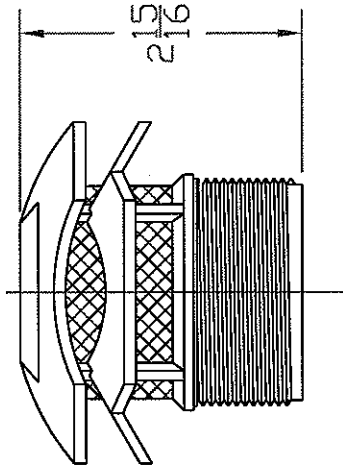
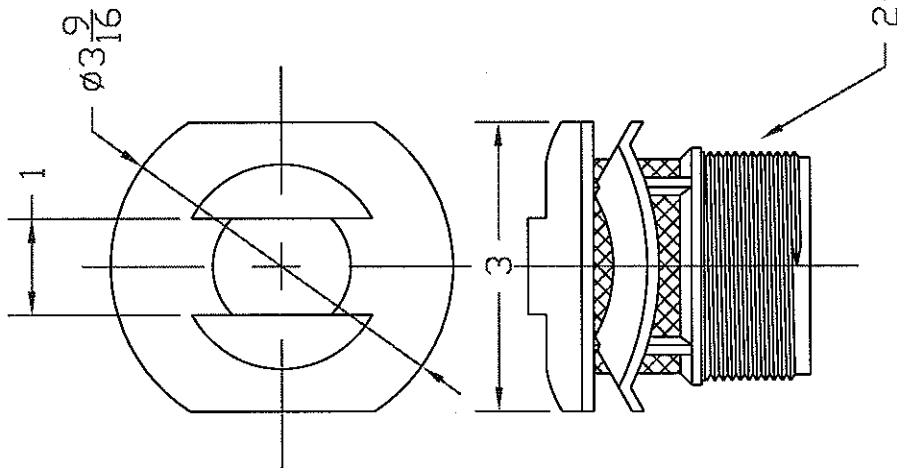


REVISIONS

ZONE	REV	DESCRIPTION	DATE	APPROVED



NORWESCO
ST. BONIFACIUS, MN

2 INCH VENT FITTING

JTP 10SEP03	SIZE	FSCM NO.	DWG NO.	REV
	A		63266	
	SCALE	1/2		SHEET