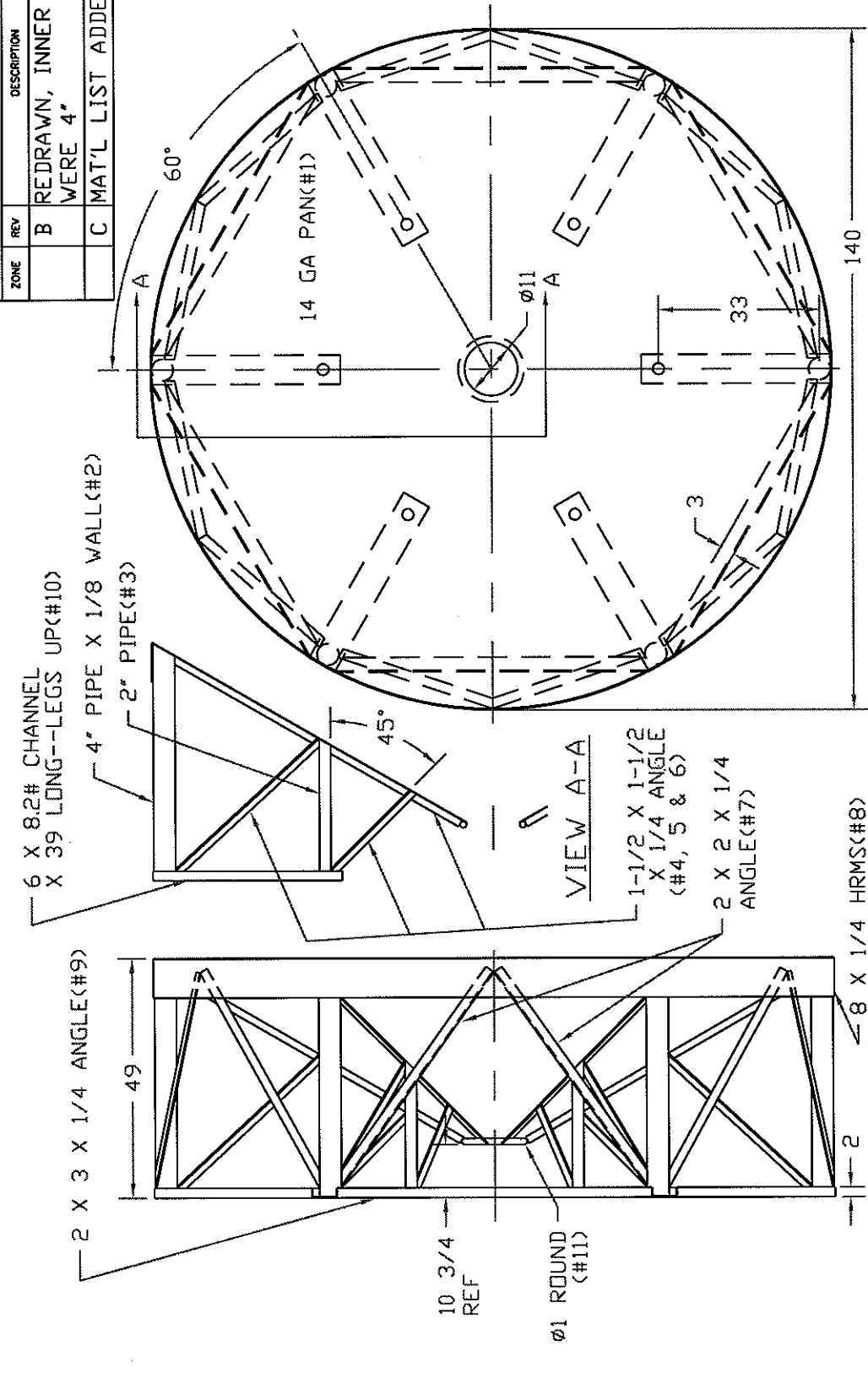


REVISIONS			
ZONE	REV	DESCRIPTION	DATE
	B	REDRAWN, INNER PIPES WERE 4"	19NOV96
	C	MAT'L LIST ADDED	26JUN00



NORWESCO ST. BONIFACIUS, MN		SIZE	FSCM NO.	DWG NO.	REV
STEEL STAND, 7500 GAL CONE BOTTOM TANK		B			B
JTP	18NOV96	SCALE 1/24		SHEET	

ITEM #	QTY	DESCRIPTION	ITEM #	QTY	DESCRIPTION
1	1	14 GA PAN	7	12	2 X 2 X 1/4 ANGLE
2	6	4 PIPE W/ 1/8 WALL	8	1	8 X 1/4 HRMS
3	6	2 PIPE	9	6	2 X 3 X 1/4 ANGLE
4	6	1-1/2 X 1-1/2 X 1/4 ANGLE	10	6	6 X 8.2# CHANNEL X 30
5	6	1-1/2 X 1-1/2 X 1/4 ANGLE	11	1	1 DIA ROUND
6	6	1-1/2 X 1-1/2 X 1/4 ANGLE			