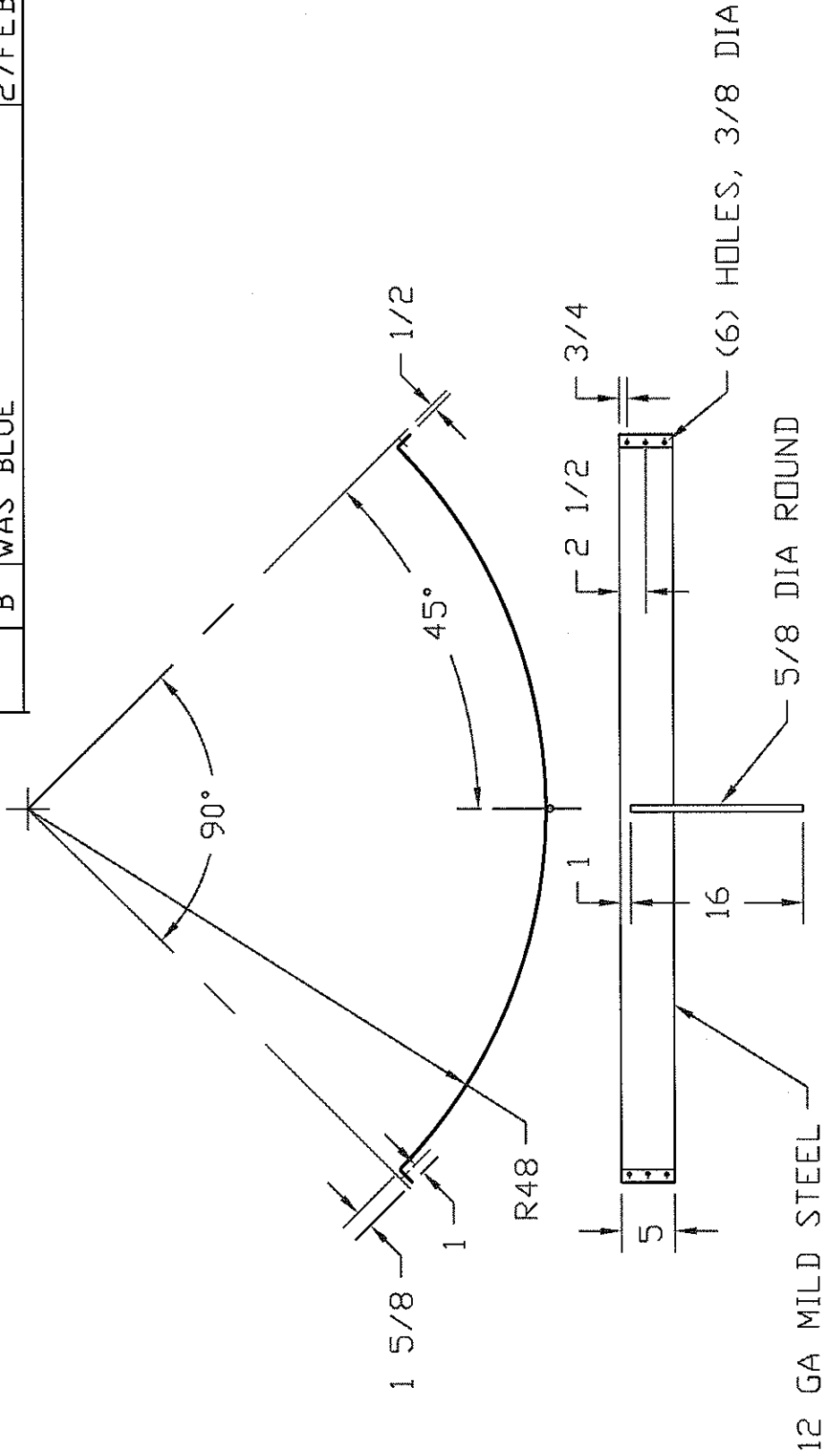


REVISIONS

ZONE	REV	DESCRIPTION	DATE	APPROVED
	A	REDRAWN, CLAMPS REMOVED	10SEP97	
	B	WAS BLUE	27FEB02	



NOTE: PART NUMBER 60359 INCLUDES  
 (4) PIECES AS SHOWN PLUS  
 ASSEMBLY HARDWARE.

FINISH: BLACK ENAMEL

**NORWESCO**  
 ST. BONIFACIUS, MN

STEEL TOP BAND ASSY  
 2500/3000 C/B STAND

JTP	10SEP97	SIZE	FSCM NO.	DWG NO.	REV
		A			B
				SCALE	SHEET
				1/16	