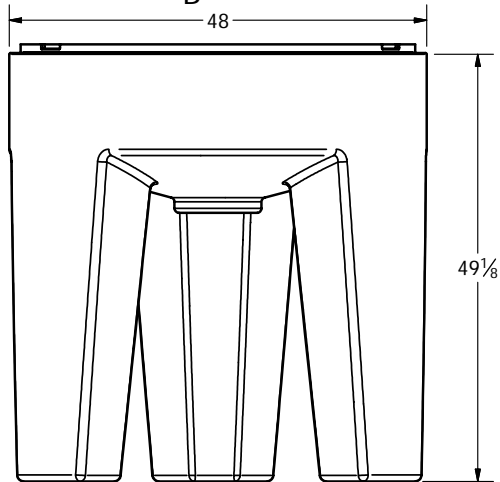
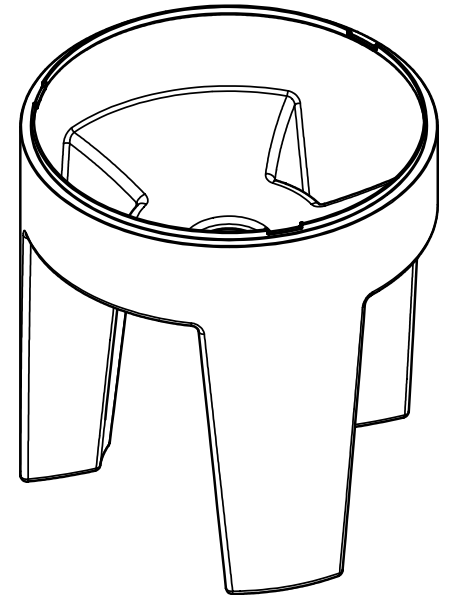



SECTION B-B  
SCALE 0.07 : 1



DRAWN Todd Bolzer	4/3/2009	 NORWESCO, INC., ST. BONIFACIUS, MN		
CHECKED				
QA		125 GALLON CONE STAND		
MFG				
APPROVED		SIZE B	DWG NO	REV
		SCALE: 1/16	SHEET 1 OF 1	