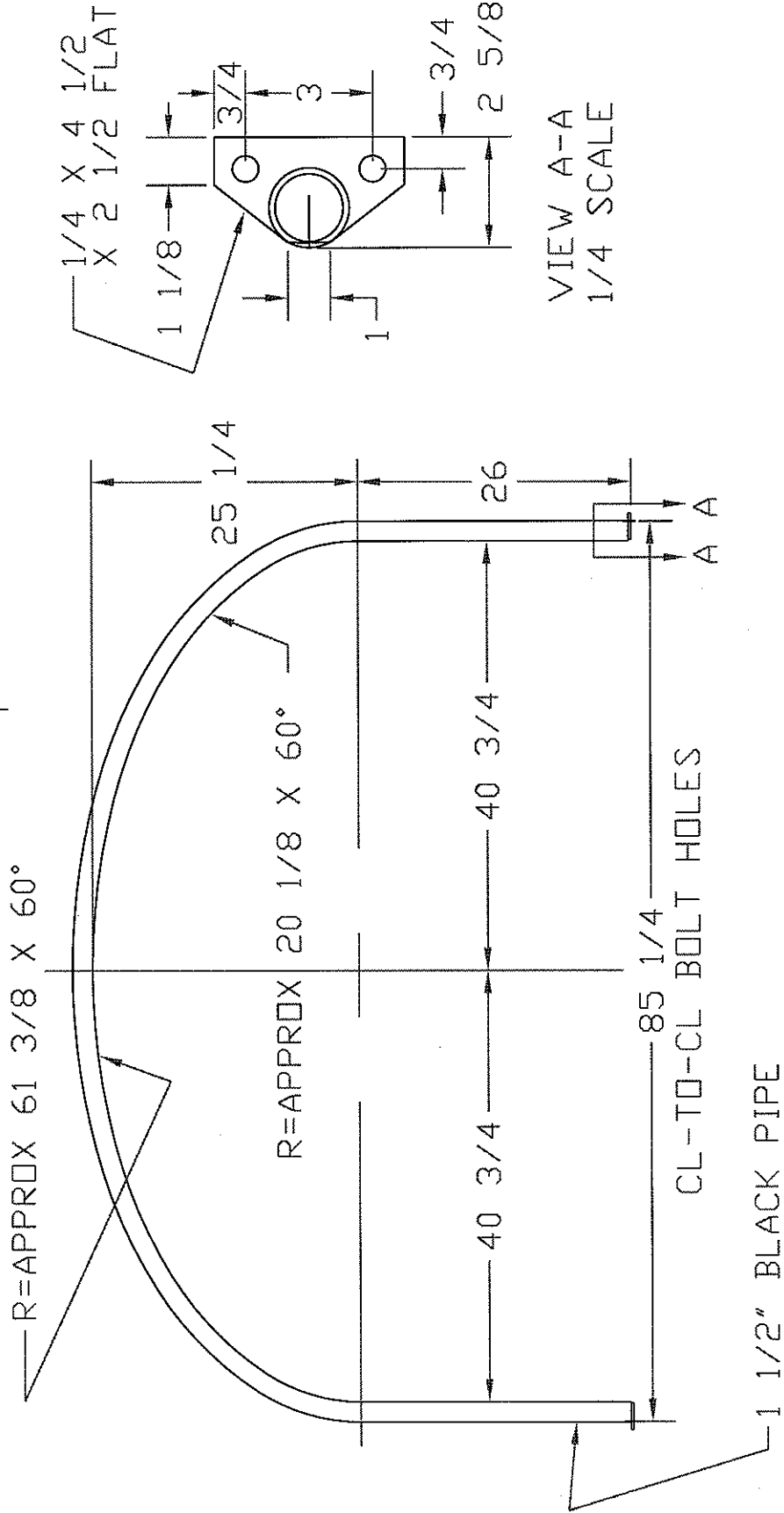


REVISIONS

ZONE	REV	DESCRIPTION	DATE	APPROVED



NORWESCO
 ST. BONIFACIUS, MN

BAND, 2035 ELLIPTICAL
 LEG TANK

JTP	22APR94	SIZE	FSCM NO.	DWG NO.	REV
		A			
SCALE 1/16				SHEET	