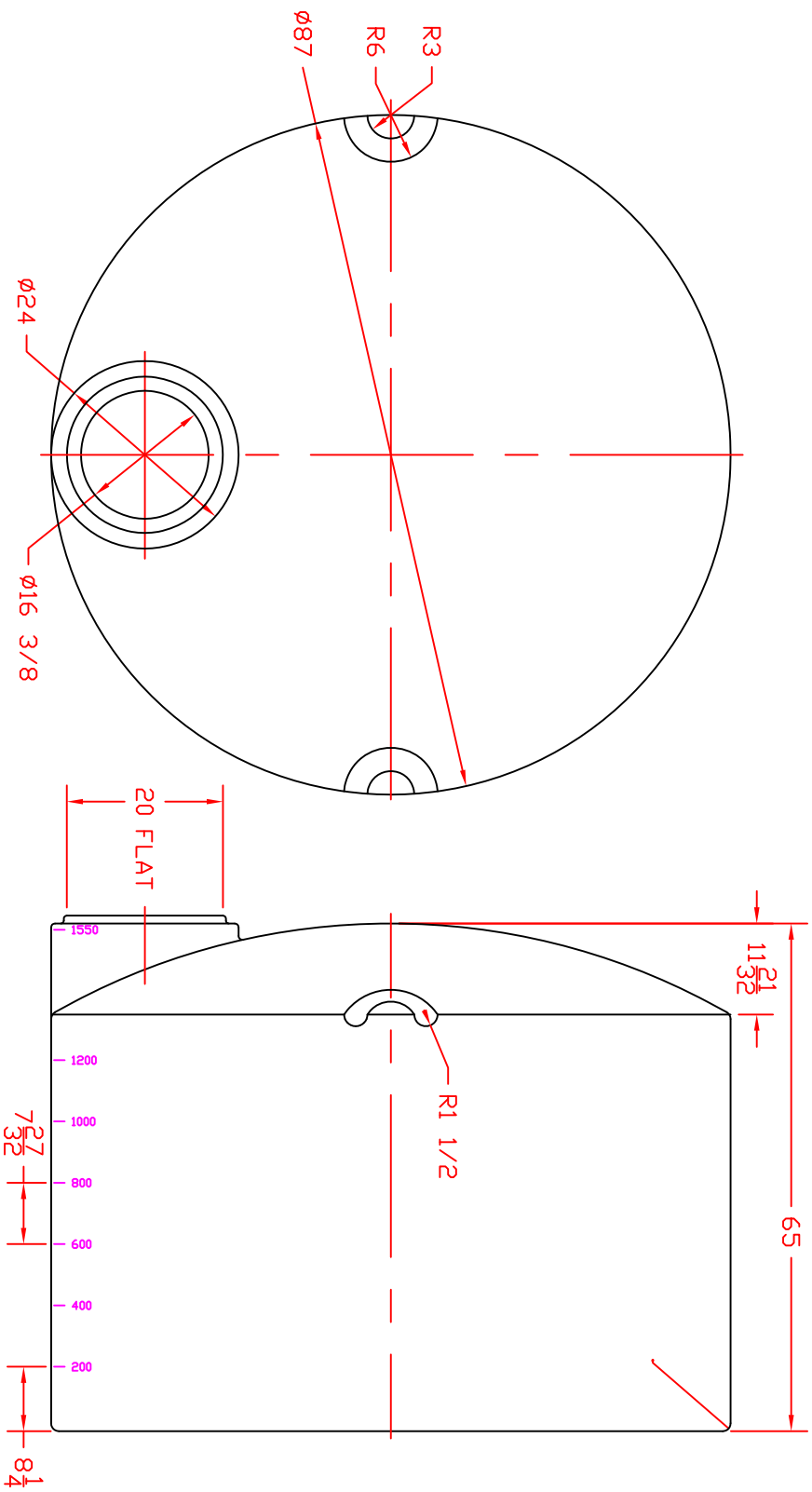


| REVISIONS | | | | |
|-----------|-----|-------------|------|----------|
| ZONE | REV | DESCRIPTION | DATE | APPROVED |
| | | | | |



FDB SHELDON, IA

| | | | |
|-------|---------|--|---------|
| | | ST. BONIFACIUS, MN 1550 GALLON VERTICAL TANK | |
| JTP | 10AUG00 | SCALE | 1/16 |
| SIZE | B | FSOM NO. | DWG NO. |
| SHEET | | REV | |