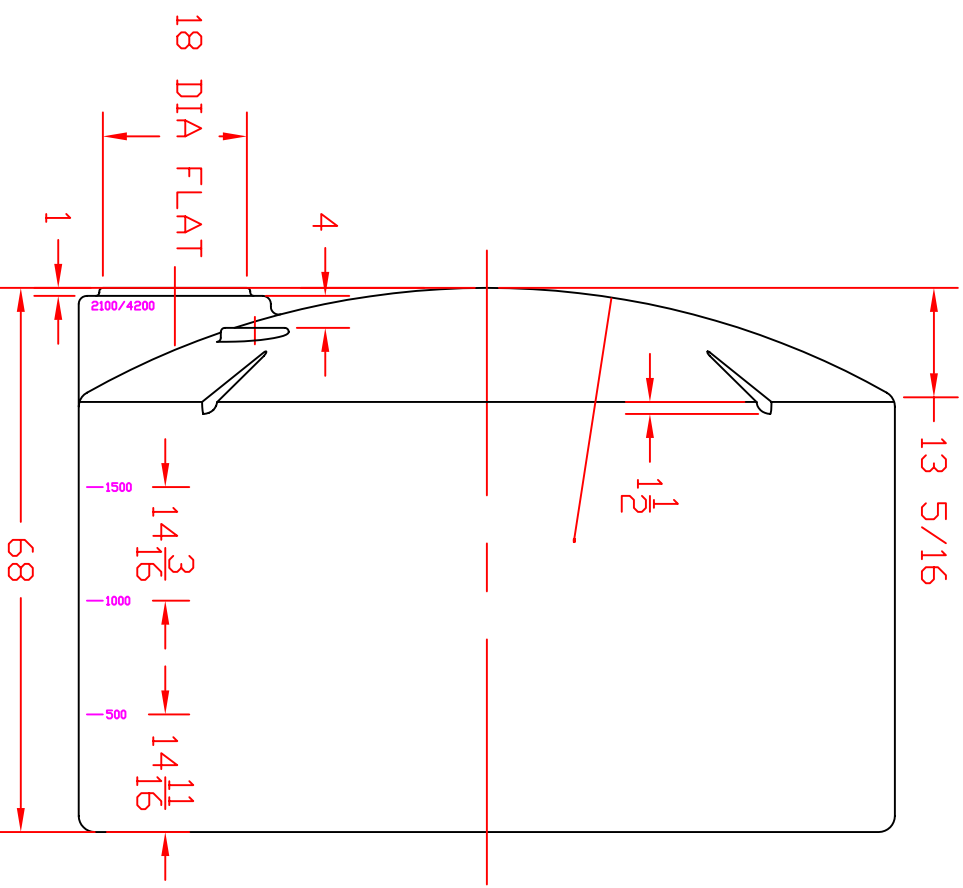
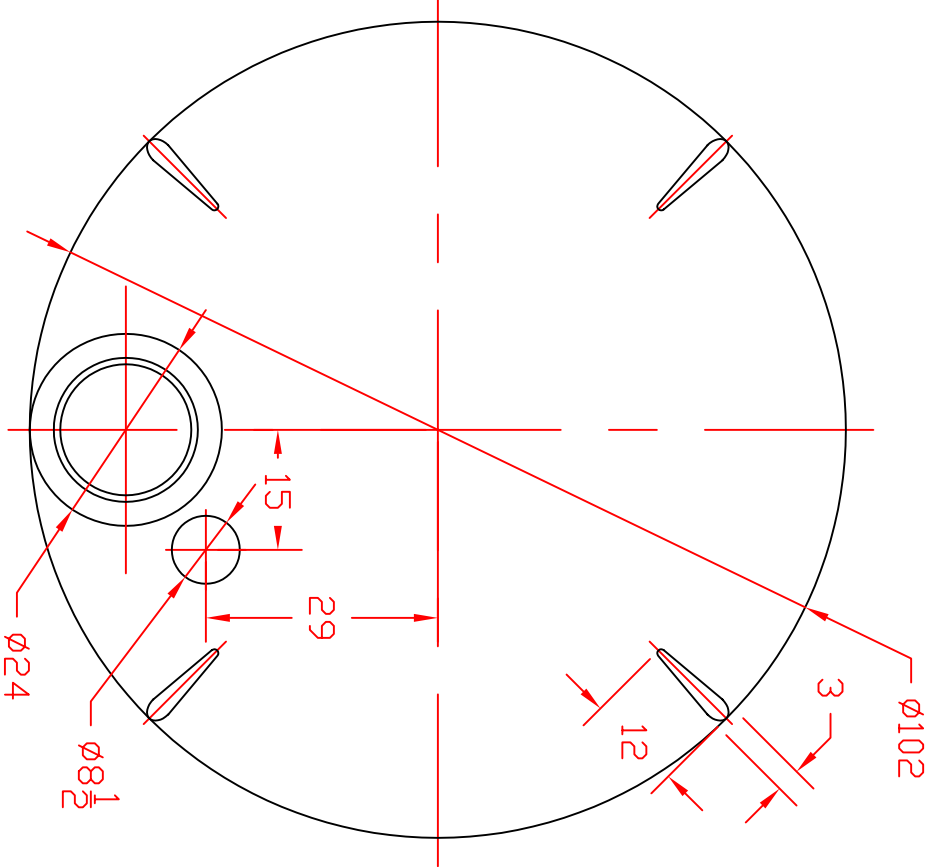


REVISIONS				
ZONE	REV	DESCRIPTION	DATE	APPROVED



FDB LANCASTER, OH

 ST. BONIFACIUS, MN		2100 GALLON (X 102 DIA) VERTICAL STORAGE TANK		REV
		SIZE	FSCM NO.	
JTP	29AUG01	A		
SCALE 1/24		SHEET		