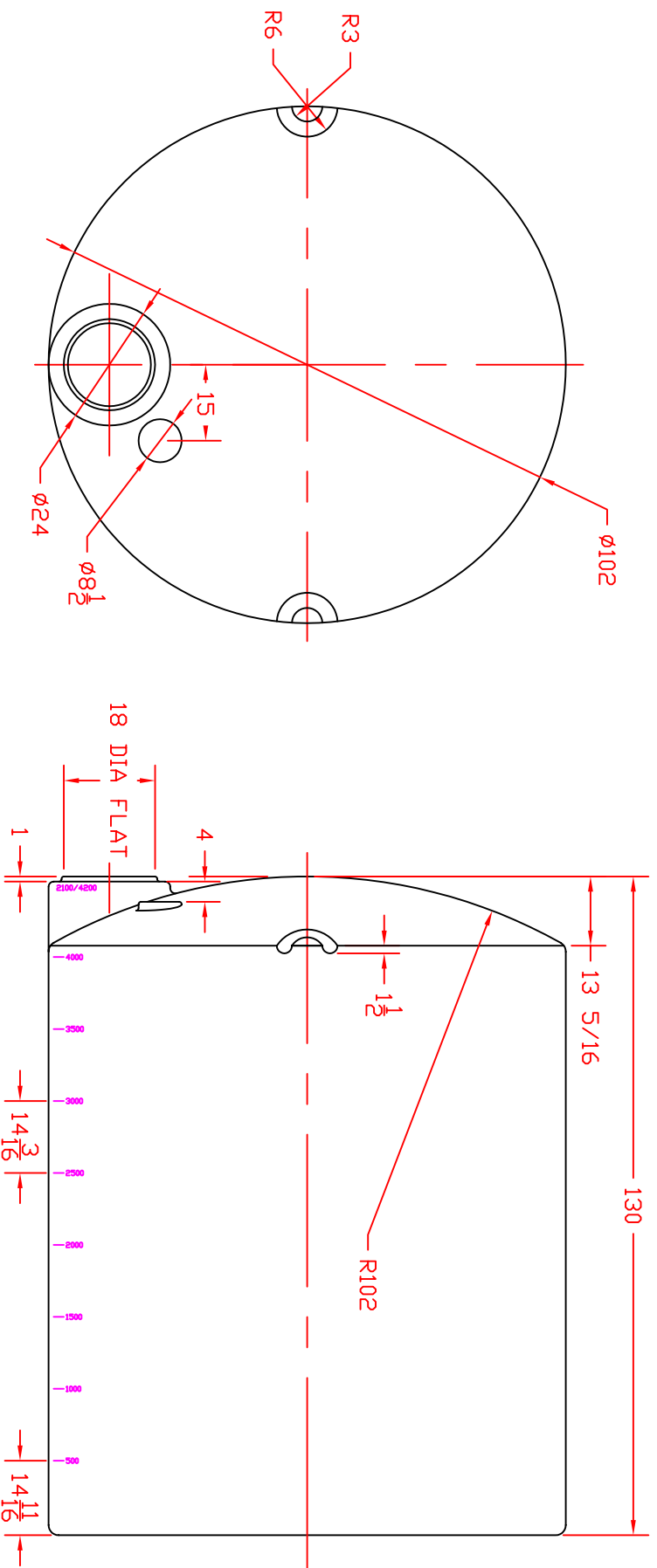


| REVISIONS | | | | |
|-----------|-----|-------------|------|----------|
| ZONE | REV | DESCRIPTION | DATE | APPROVED |
| | | | | |



F0B FAIRFIELD, TX

| | | | |
|------|---------|--|---------|
| | | ST. BONIFACIUS, MN 4200 GALLON VERTICAL STORAGE TANK | |
| JTP | 28JUL98 | SCALE | 1/24 |
| SIZE | B | FORM NO. | DWG NO. |
| | | | |
| | | | SHEET |