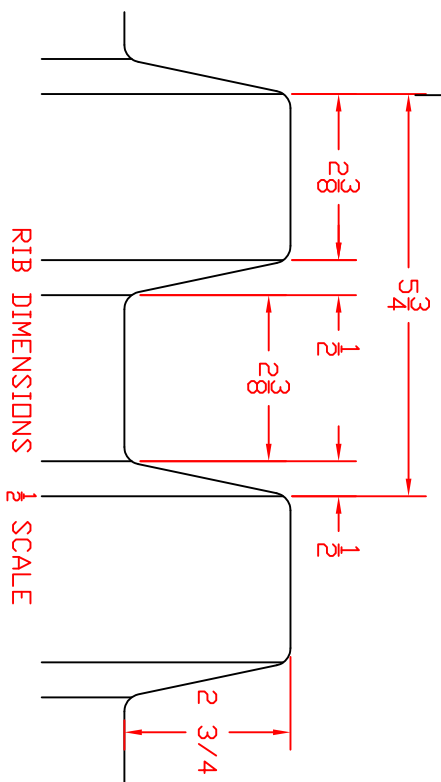
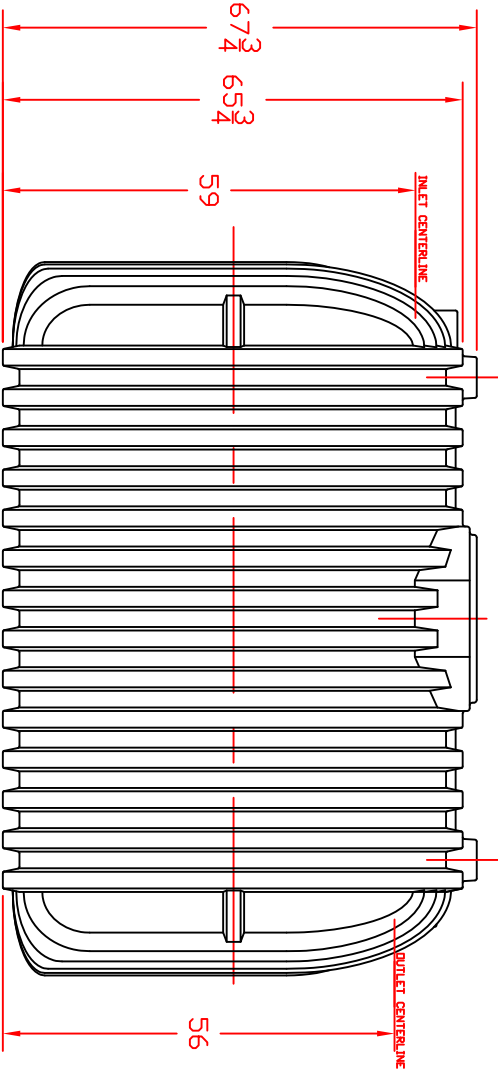
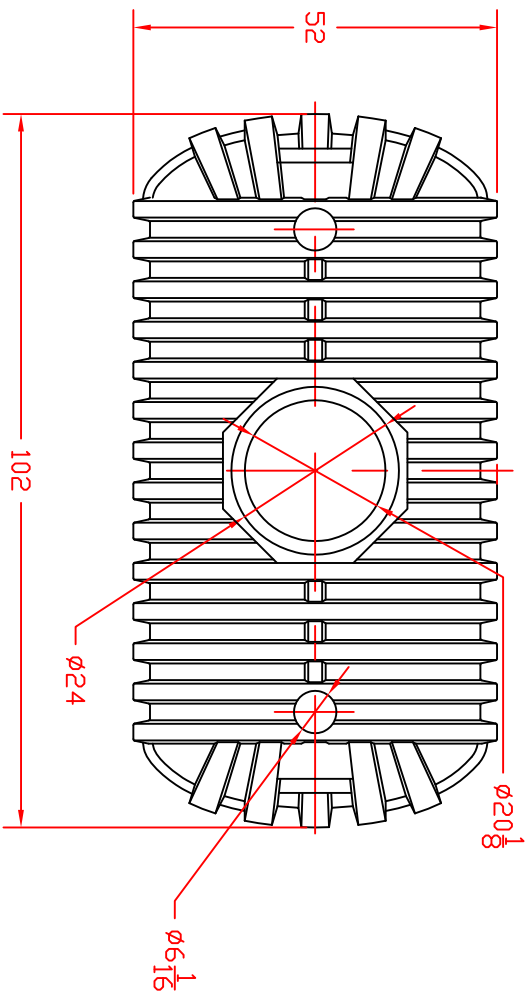
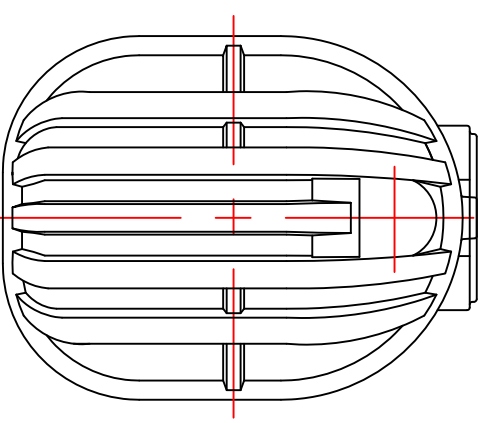


| REVISIONS | | | | |
|-----------|-----|-------------|------|----------|
| ZONE | REV | DESCRIPTION | DATE | APPROVED |
| | | | | |
| | | | | |



RIB DIMENSIONS 1/2 SCALE



| | | | |
|-----------------------|---------|--------------------|------|
| NORWESCO | | ST. BONIFACIUS, MN | |
| 1000 GALLON 1-MANHOLE | | SEPTIC TANK | |
| JTP | 27JAN03 | SIZE | B |
| | | FORM NO. | |
| | | DWG NO. | |
| | | SCALE | 1/20 |
| | | SHEET | |