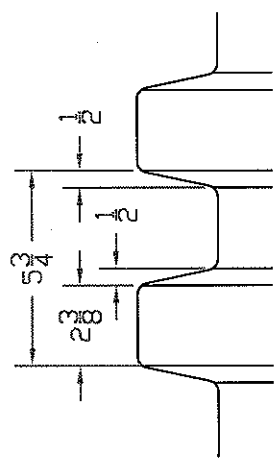
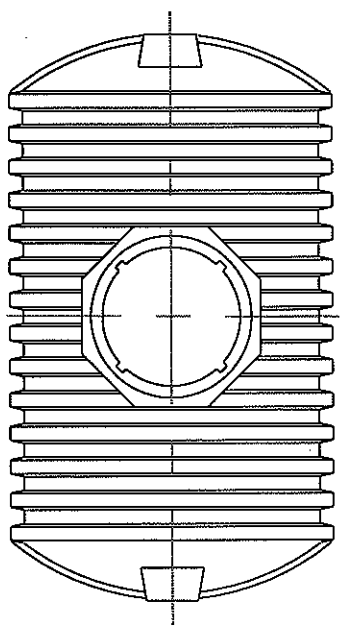
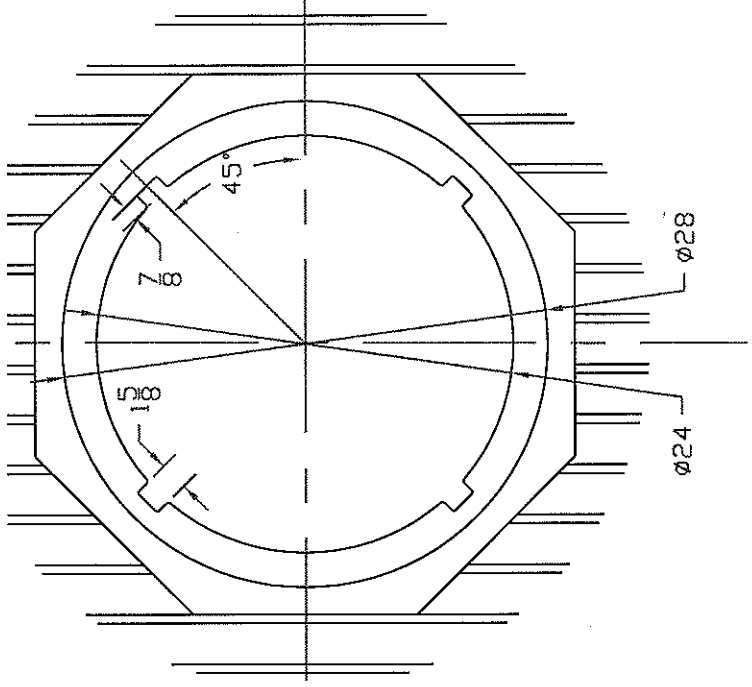


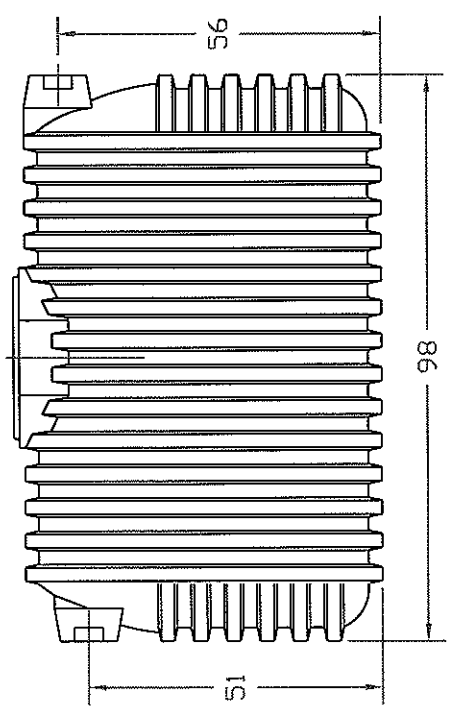
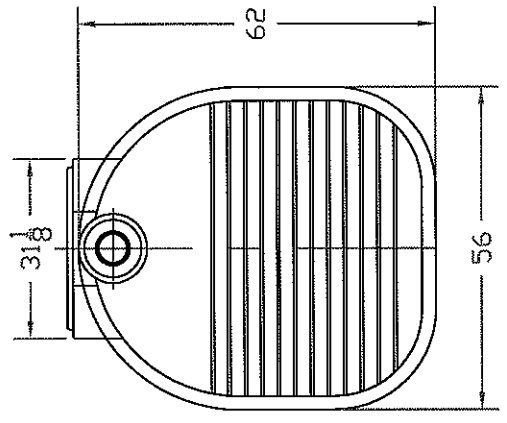
REVISIONS		DESCRIPTION	DATE	APPROVED
ZONE	REV			



RIB DIMENSIONS  
1/4 SCALE



MANWAY DIMENSIONS  
1/8 SCALE



<b>NORWESCO</b> ST. BONIFACIUS, MN		1000 GAL SEPTIC TANK		REV
		W/ 24" MANHOLE--NJ		
JTP	24OCT01	SIZE	FSCM NO.	DWG NO.
		B		40361
			SCALE	SHEET
			1/24	