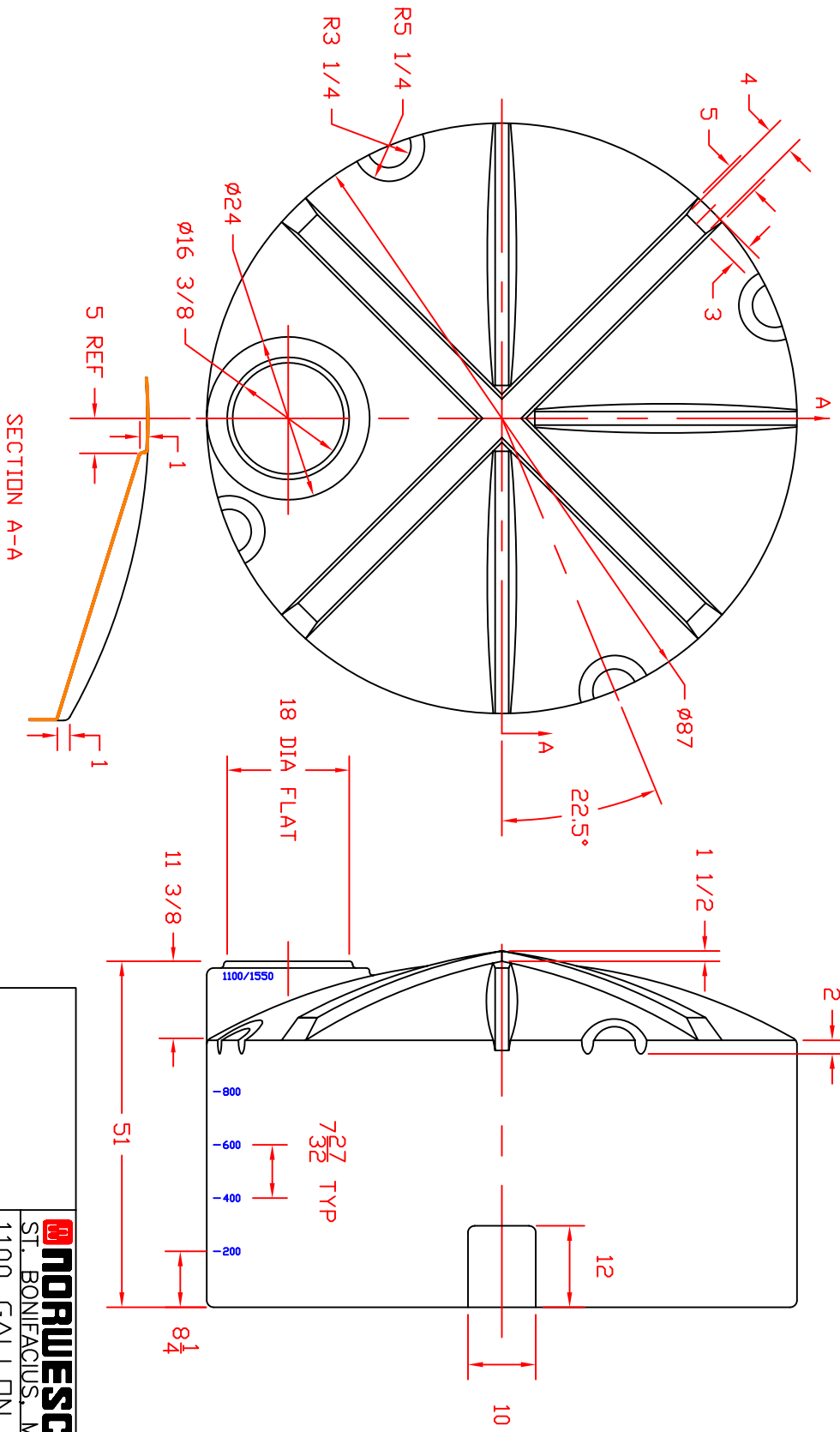


REVISIONS				
ZONE	REV	DESCRIPTION	DATE	APPROVED



		ST. BONIFACIUS, MN 1100 GALLON VERTICAL TANK W/ GUSSET DOME	
JTP	05MAY03	SCALE	1/16
B	SIZE	FSCM NO.	DWG NO.
		SHEET	
			REV