
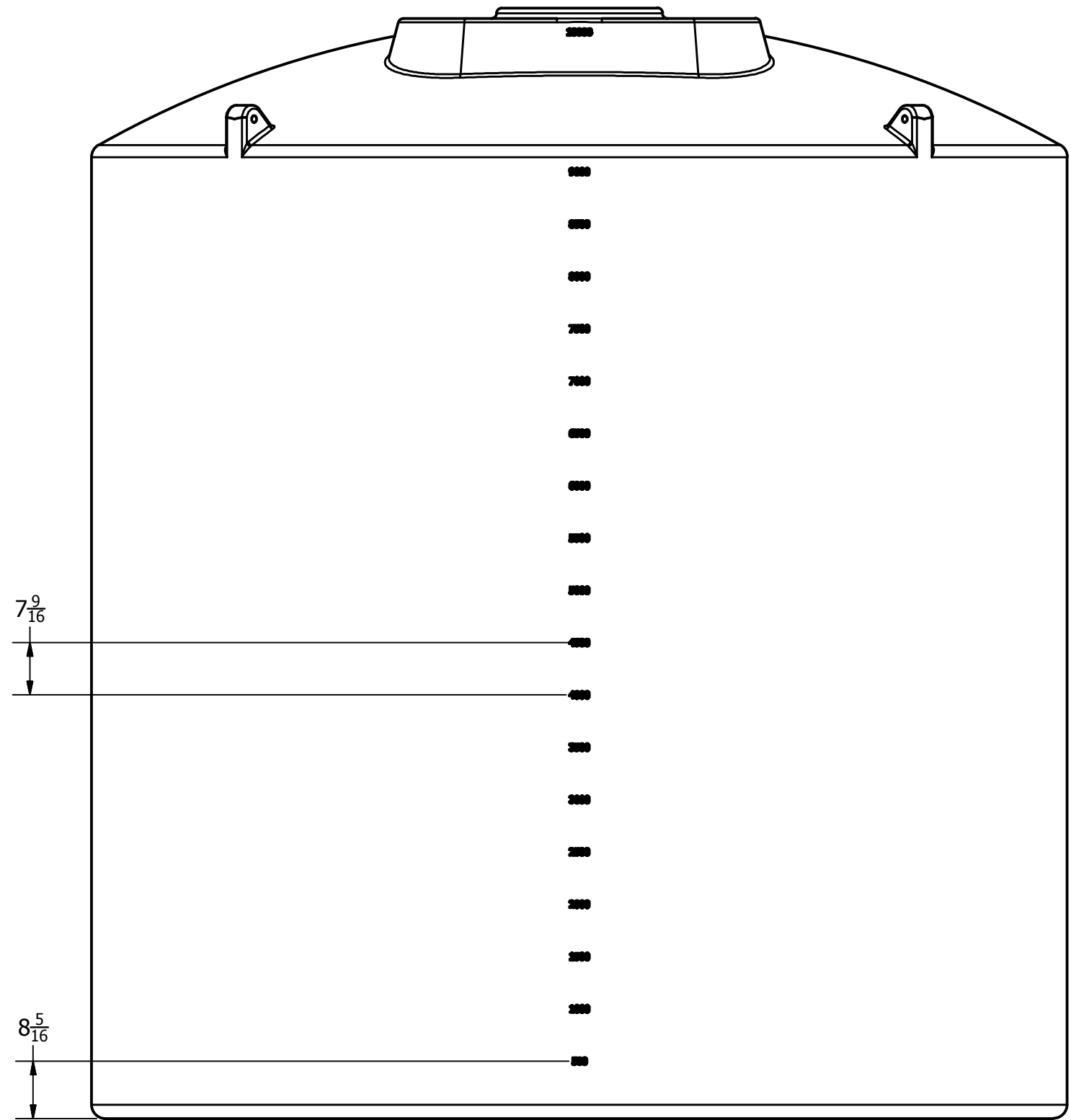



SECTION A-A
SCALE 1:12

FOB HANFORD, CA

REVISION HISTORY			
REV	DESCRIPTION	DATE	AUTHOR
A	REDRAWN	6/28/2013	Michael Holden
DRAWN	Jerry Paulson	2/23/2001	 NORWESCO, INC. SAINT BONIFACIUS, MN TITLE 10000 GALLON VERTICAL TANK
CHECKED			
QA			
MFG			
APPROVED			
	SIZE	DWG NO	REV
	B		A
	SCALE: 1/16		SHEET 1 OF 2



DRAWN Jerry Paulson	2/23/2001	 NORWESCO, INC. SAINT BONIFACIUS, MN		
CHECKED		TITLE		
QA		10000 GALLON VERTICAL TANK		
MFG				
APPROVED				
		SIZE B	DWG NO	REV A
		SCALE: 1/16		SHEET 2 OF 2