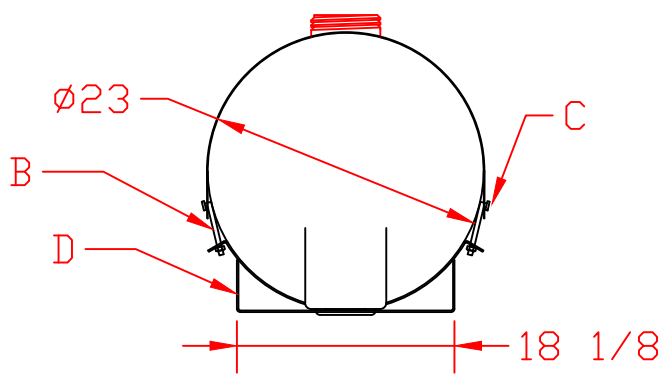
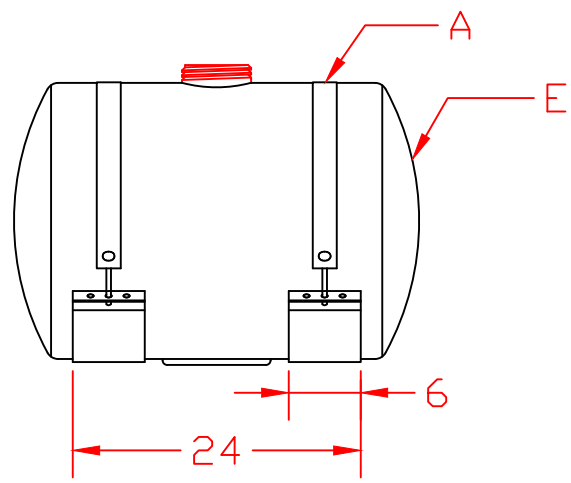



REVISIONS				
ZONE	REV	DESCRIPTION	DATE	APPROVED
	A	WAS BLUE	27FEB02	
	B	WAS J-BOLT	12SEP02	
	C	ADDED 85	25JUL06	



- (A) 2" NYLON STRAP 2" X 48 IN. - 2 PCS.
- (B) 3/8-16 X 5.50 HOOK BOLT, G2, CZP - 4 PCS.
- (C) 2" FLAT BUCKLE - 4 PCS.
- (D) SADDLE WELDMENT 55, 70 & 85 GAL - 2 PCS.
- PARTS BAG 55, 70 & 85 GAL NORWESCO - 1 PC.
- 3/8-16 SERRATED FLNG HEX NUT, GA, CZP - 8 PCS.
- BAG BLACK WOVEN 8" X 14" - 1 PC.
- (E) APPLICATOR TANK



POLY BAND INSTALLATION DETAIL

		 NORWESCO ST. BONIFACIUS, MN		
		55, 70 & 85 X 23 SADDLE ASSY. WITH NYLON STRAPS		
JTP	11SEP97	SIZE A	FSCM NO.	DWG NO. 60303
		SCALE 1/16	SHEET	
				REV C