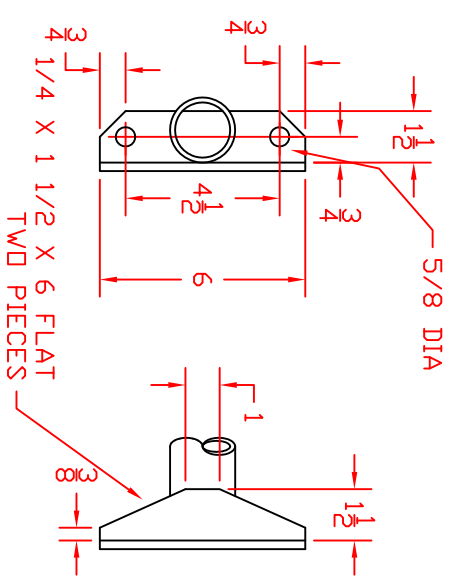
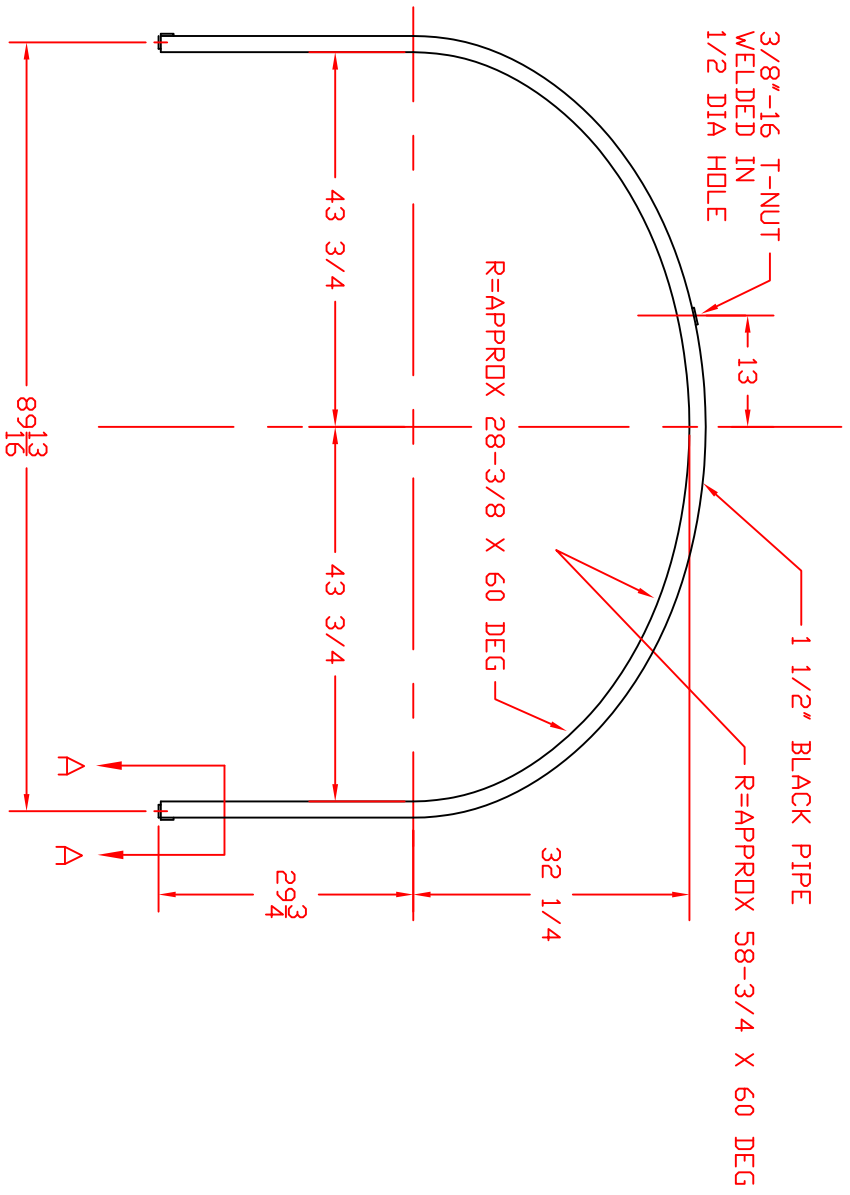


REVISIONS				
ZONE	REV	DESCRIPTION	DATE	APPROVED



VIEW A-A
1/4 SCALE

		ST. BONIFACIUS, MN BAND, 2610 ELLIPTICAL TANK, LONG			
JTP	19MAR02	SIZE	FSOM NO.	DWG NO.	REV
B		SCALE	1/16	63045	
				SHEET	