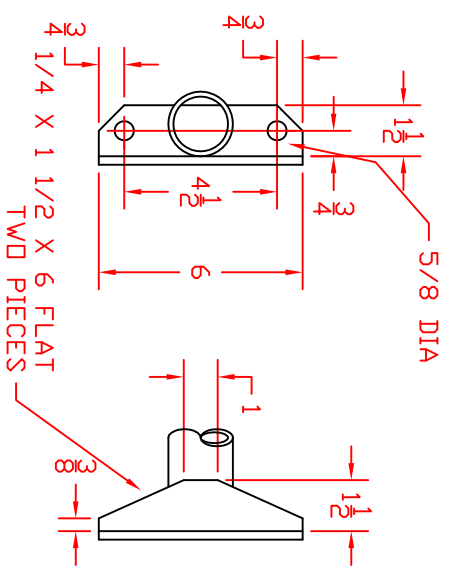
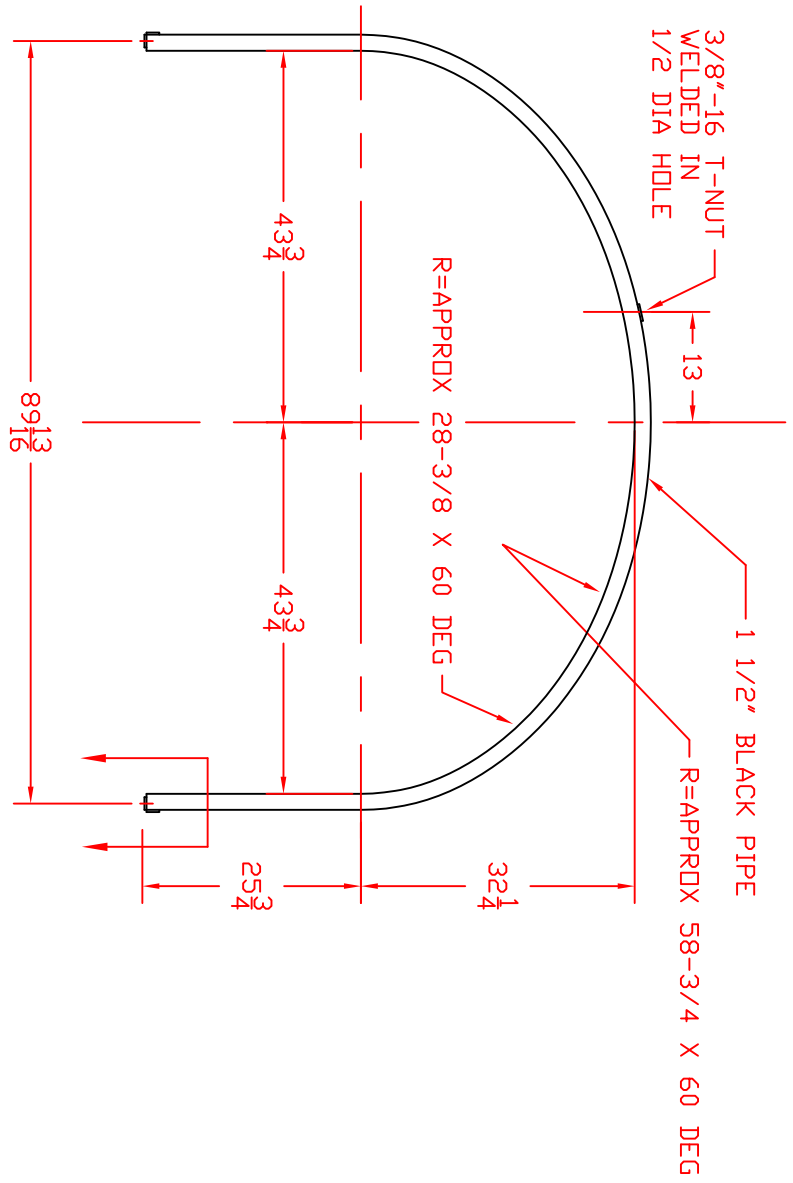


REVISIONS				
ZONE	REV	DESCRIPTION	DATE	APPROVED



VIEW A-A  
1/4 SCALE

		ST. BONIFACIUS, MN BAND, 2610 ELLIPTICAL TANK, SHORT	
JTP	19MAR02	SIZE	DWG NO.
B	1/16	FSCM NO.	63044
SCALE	1/16	SHEET	REV