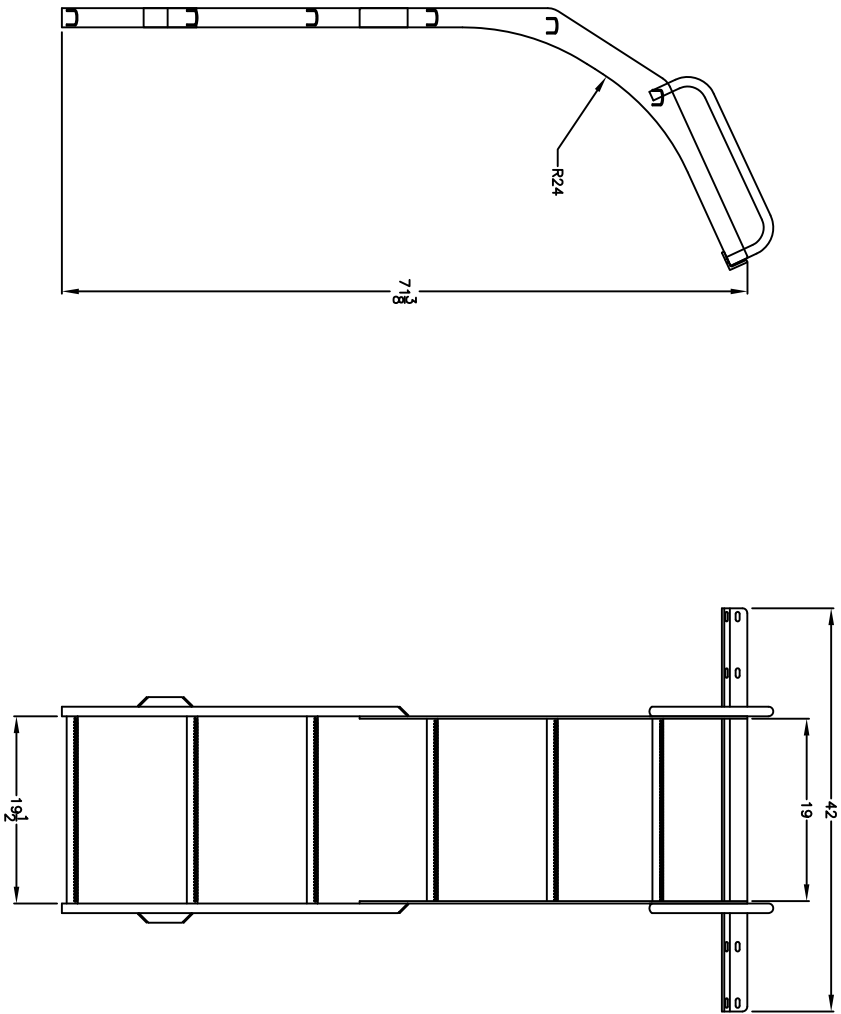


REVISIONS

ZONE	REV	DESCRIPTION	DATE	APPROVED



NORWESCO
ST. BONIFACIUS, MN

LADDER
2610 & 3210

JTP	06JAN03	SIZE	FSCM NO.	DWG NO.	REV
A		A		63047	
SCALE 1/20		SHEET			