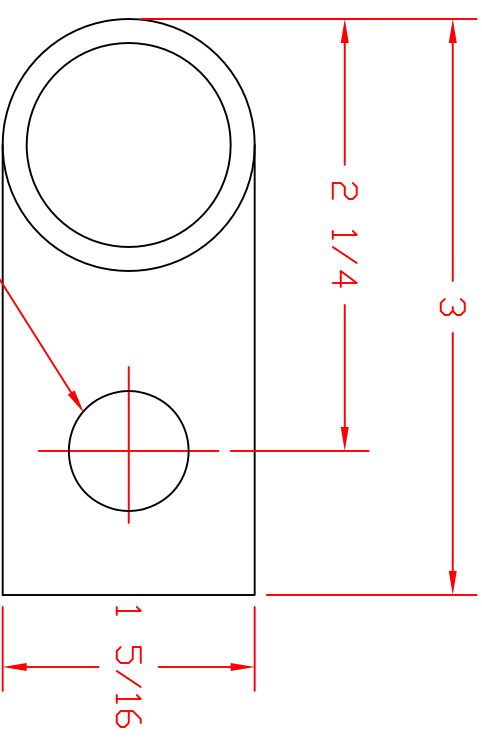
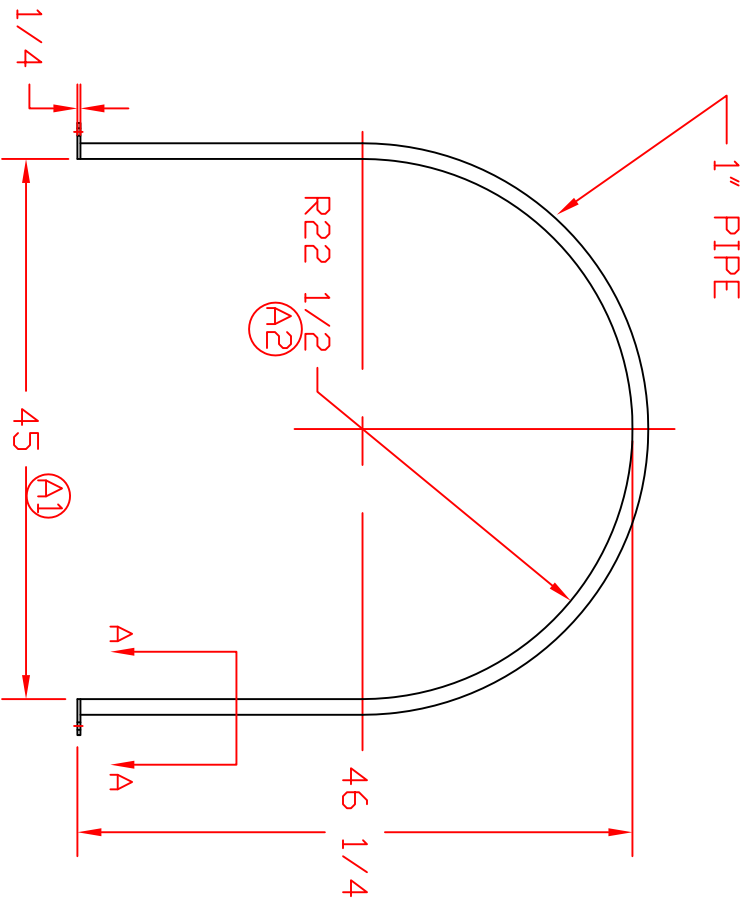


REVISIONS				
ZONE	REV	DESCRIPTION	DATE	APPROVED
	A	1,2--DIMS UPDATED	03AUG99	



VIEW A-A FULL SCALE

FINISH: HOT-DIPPED GALVANIZED

 ST. BONIFACIUS, MN		JTP 8AUG96		SCALE 1/16	SHEET
		SIZE A	FSCM NO.	DWG NO. 60584	REV A
BAND, 1010 SHORT & 710					