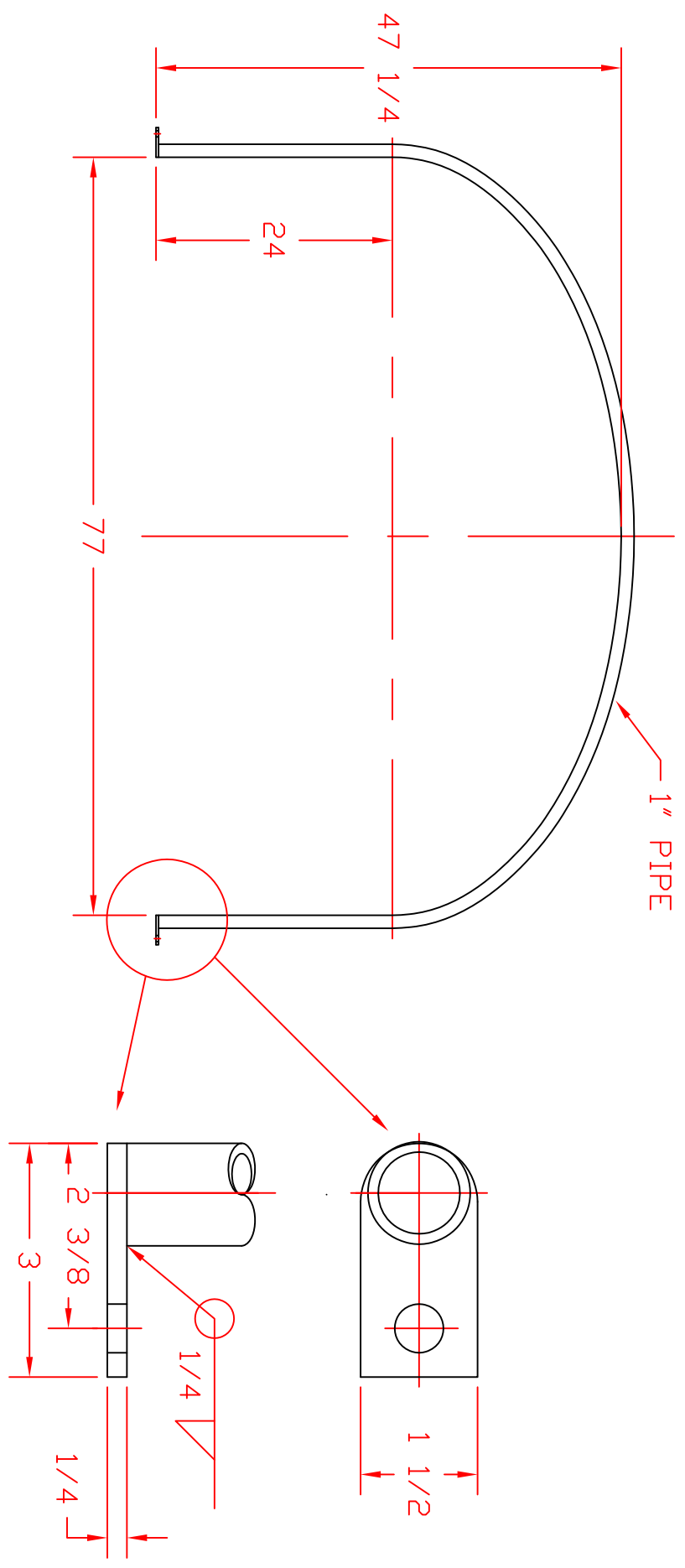


REVISIONS				
ZONE	REV	DESCRIPTION	DATE	APPROVED
	A	REDRAWN	25 JUN 97	



HDT-DIPPED GALVANIZED FINISH		NORWESCO ST. BONIFACIUS, MN	
JTP 25JUN97		BAND, 1035 ELLIPTICAL LEG TANK	
SIZE A	FSCM NO.	DWG NO.	REV A
SCALE 1/16		60325	
		SHEET	