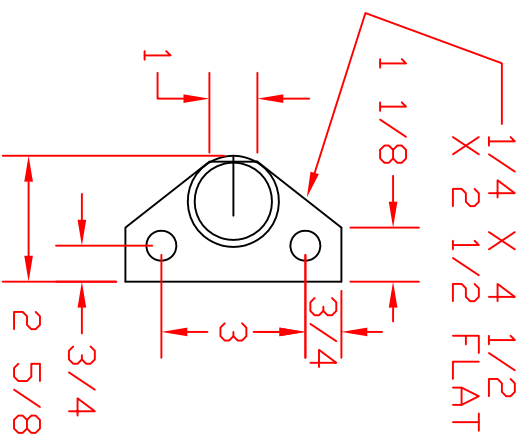
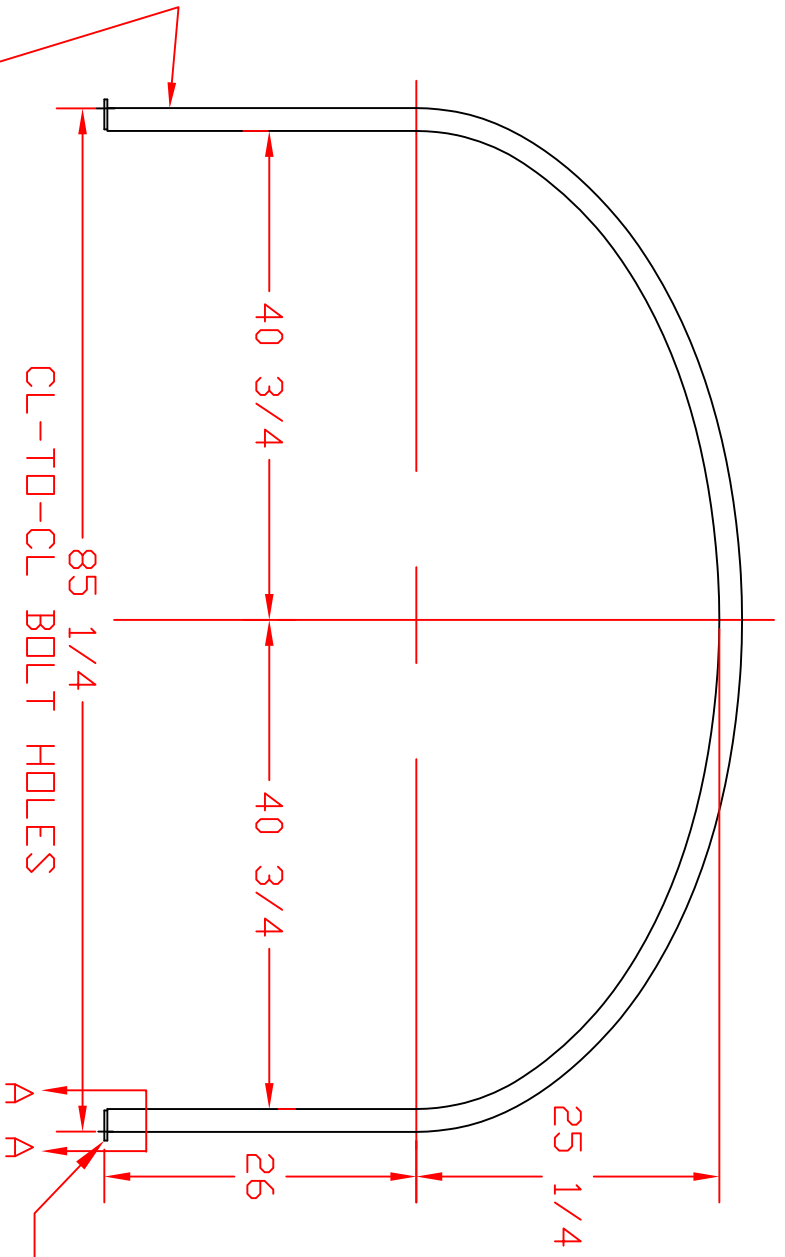


REVISIONS				
ZONE	REV	DESCRIPTION	DATE	APPROVED



VIEW A-A
1/4 SCALE

NOTE: PAINT FOOT GOLD

FDB: LANCASTER, OH
GRIFFIN, GA
TODELE, UT
HANFORD, CA

		ST. BONIFACIUS, MN BAND, 2035 ELLIPTICAL LEG TANK (EAST/WEST)			
JTP	17DEC10	SIZE	FSCM NO.	DWG NO.	REV
A	A	A		63840	
SCALE 1/16		SHEET			