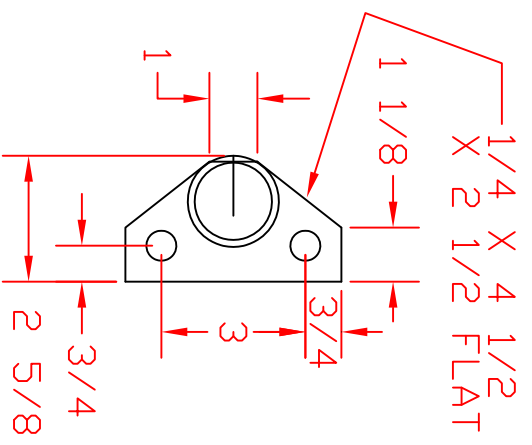
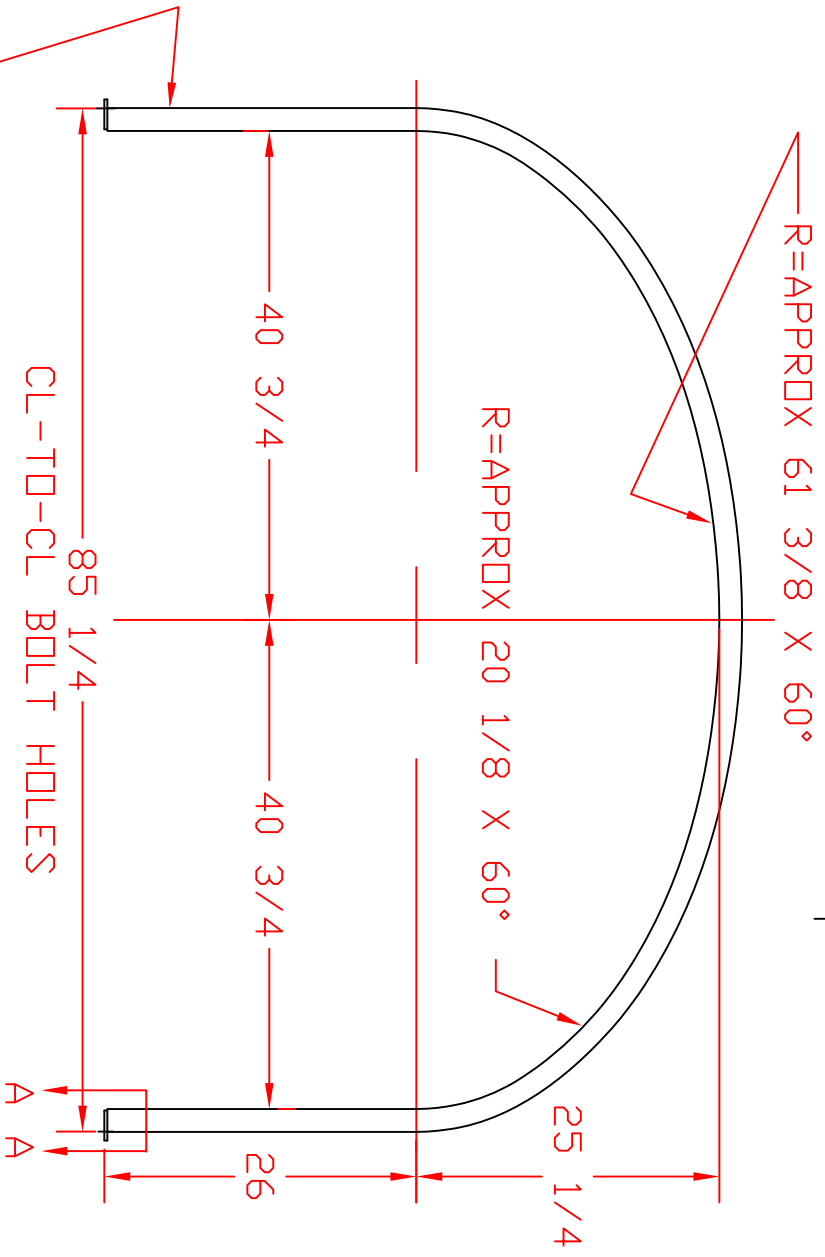


REVISIONS				
ZONE	REV	DESCRIPTION	DATE	APPROVED
	A	NOTE ADDED	16 DEC 10	



FDB: ST BONIFACIUS MN
 SHAWNEE, OK
 FAIRFIELD, TX

JTP 22APR94		ST. BONIFACIUS, MN	
SIZE A		NORWESCO	
FSCM NO.		BAND, 2035 ELLIPTICAL	
DWG NO. 62079		LEG TANK (MIDWEST)	
SCALE 1/16		REV A	
SHEET			