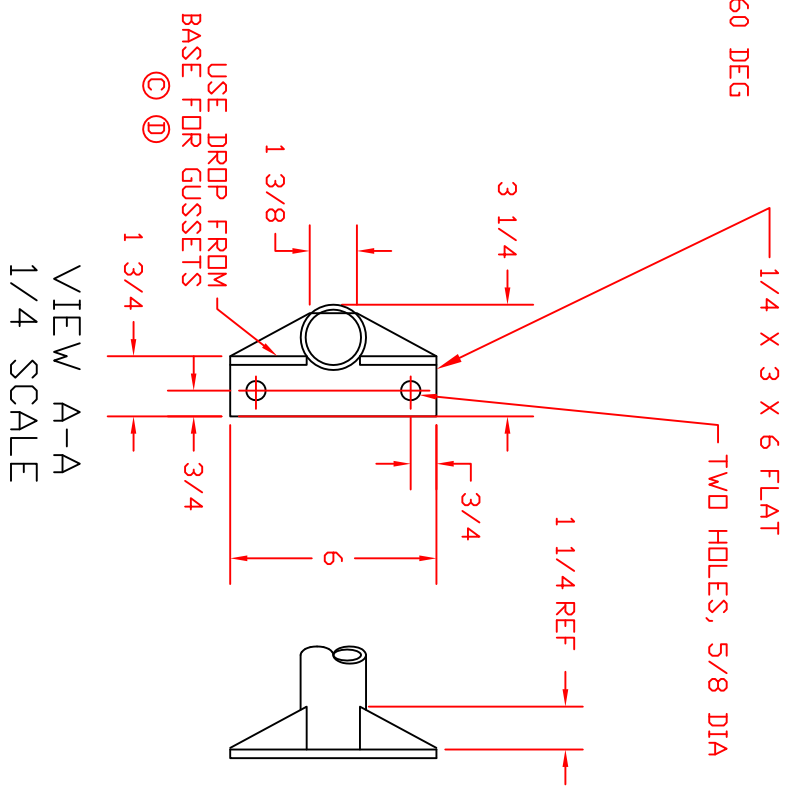
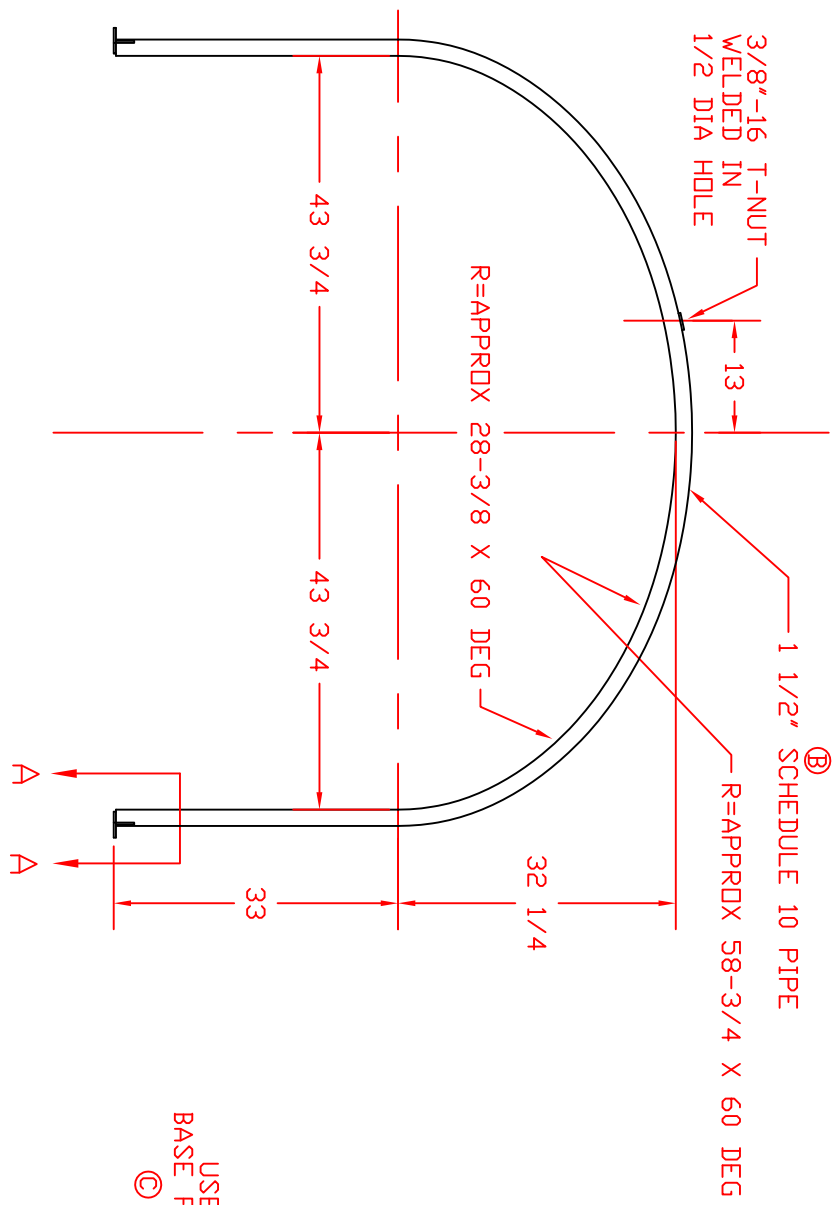


REVISIONS				
ZONE	REV	DESCRIPTION	DATE	APPROVED
	A	REVISED & REDRAWN	4MAY95	
	B	WAS 2" PIPE	21JUL97	
	C	GUSSETS ADDED	29JAN98	
	D	GUSSETS REVISED	19OCT98	



FINISH: HOT-DIPPED GALVANIZED

		ST. BONIFACIUS, MN BAND, 2635 ELLIPTICAL TANK	
JTP	4MAY95	DMG NO.	60353
SCALE	1/16	REV	D