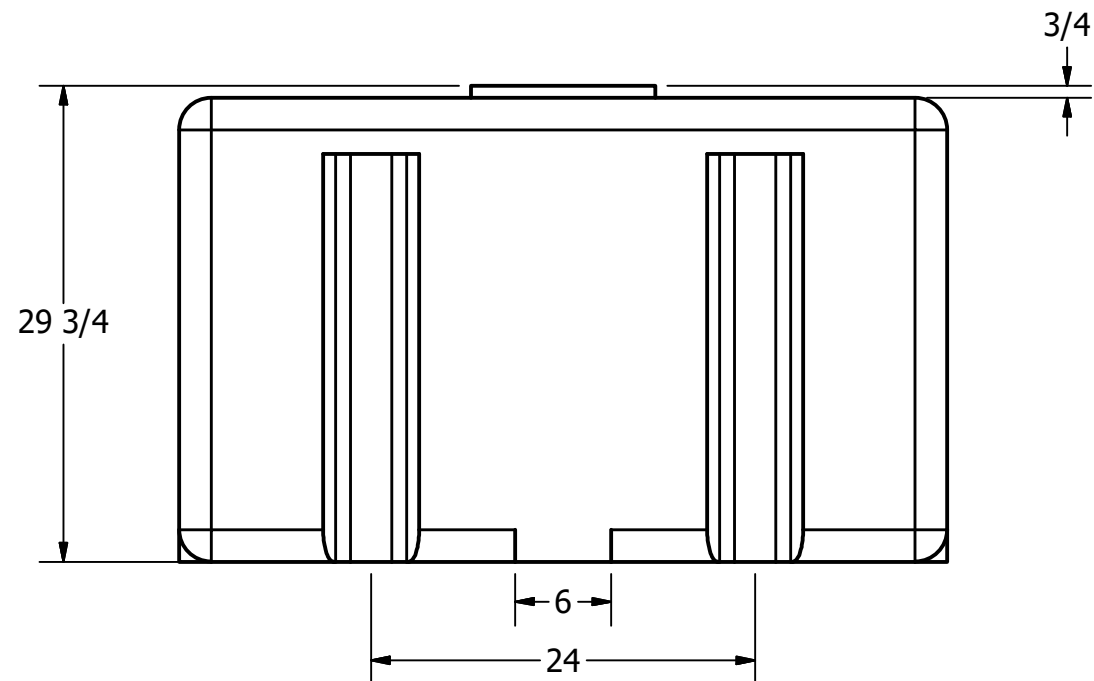



SECTION A-A
SCALE 1/12



DRAWN Liv Oltean	9/12/2018			
CHECKED		NORWESCO, INC. SAINT BONIFACIUS, MN		
QA		TITLE		
MFG		200 GALLON x 40" W LOAF TANK		
APPROVED		SIZE	DWG NO	REV
		B		
		SCALE: 1/16	SHEET 1 OF 1	