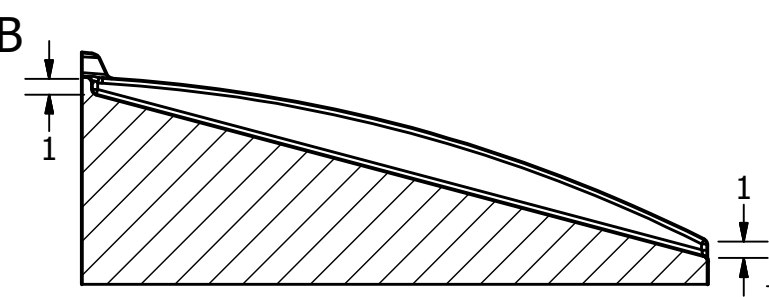
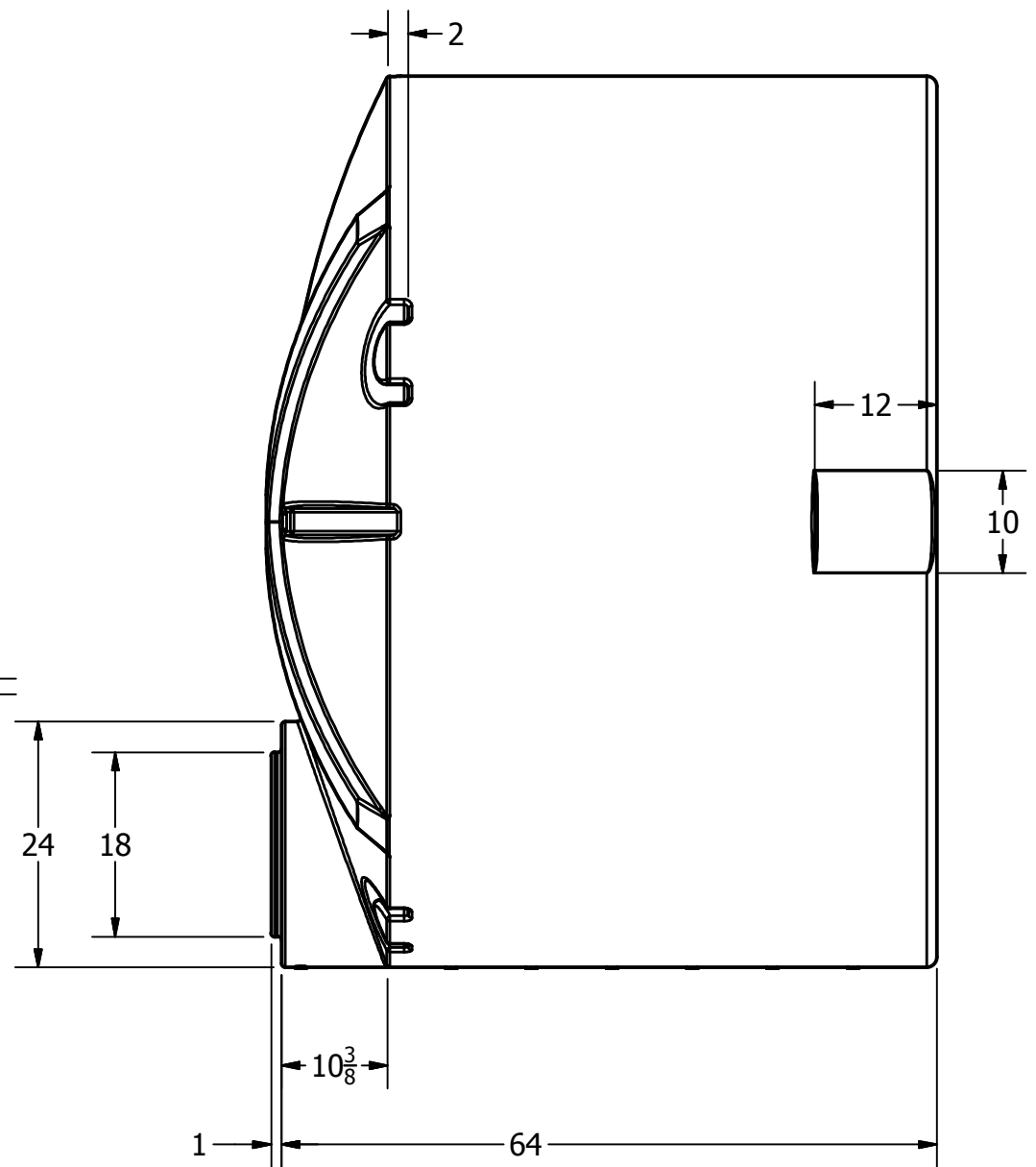


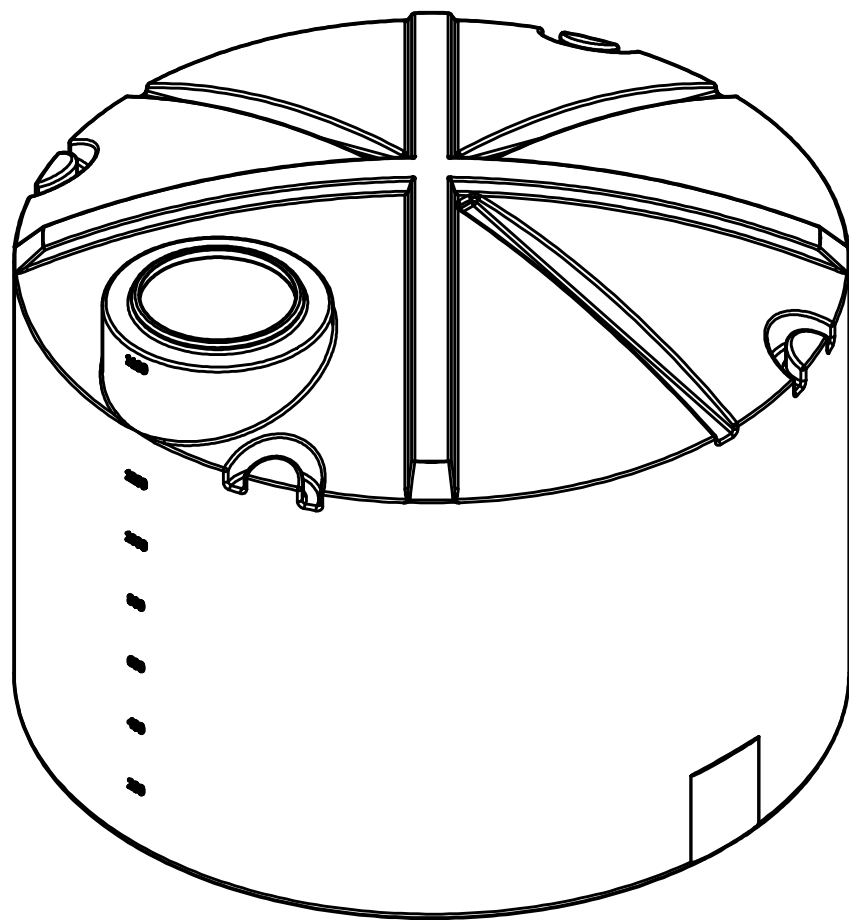
SECTION A-A  
SCALE 1:10




SECTION B-B  
SCALE 1:12



$\text{Ø}16\frac{3}{8}$



REVISION HISTORY				
REV	DESCRIPTION	DATE	AUTHOR	
A	REDRAWN	7/9/2013	Michael Holden	
DRAWN Jerry Paulson		11/6/2000	 NORWESCO, INC. SAINT BONIFACIUS, MN TITLE <b>1550 GALLON VERTICAL TANK W/ GUSSET DOME</b>	
CHECKED				
QA				
MFG				
APPROVED				
		SIZE <b>B</b>	DWG NO	REV <b>A</b>
		SCALE: 1/16	SHEET 1 OF 1	