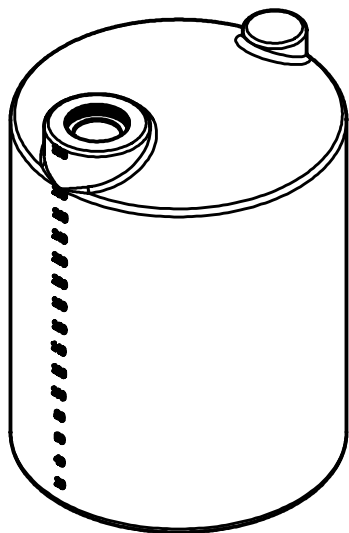
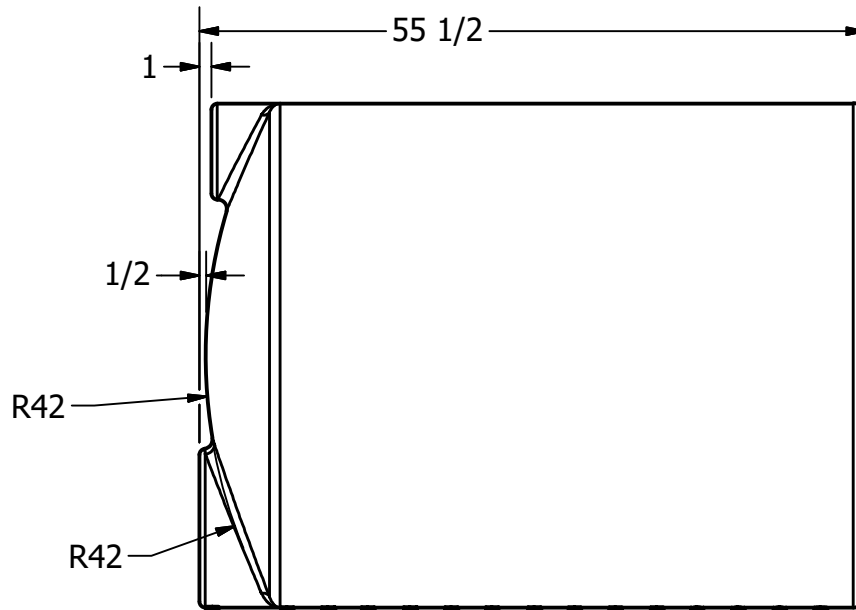



DOUBLE LEAD THREAD  
FOR 8-INCH LID



DRAWN Jerry Paulson	9/26/2007			
CHECKED		NORWESCO, INC., ST. BONIFACIUS, MN		
QA		TITLE		
MFG		300 GALLON VERTICAL TANK		
APPROVED		SIZE	DWG NO	REV
		A		A
		SCALE: 1/12		SHEET 1 OF 2