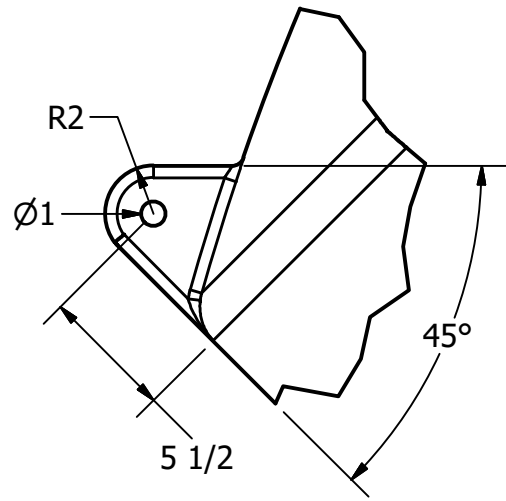
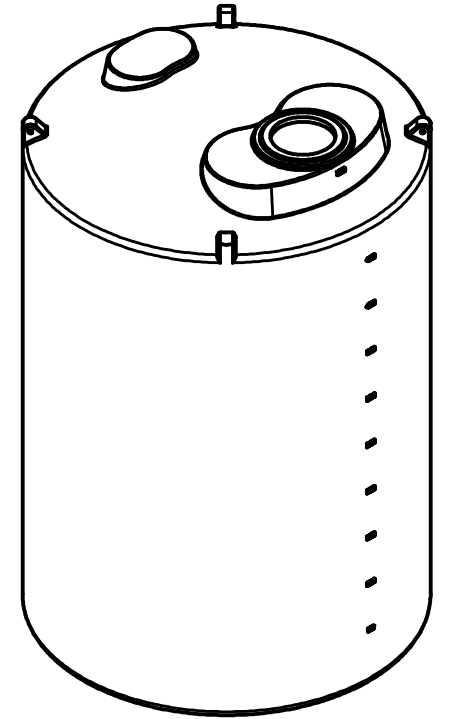
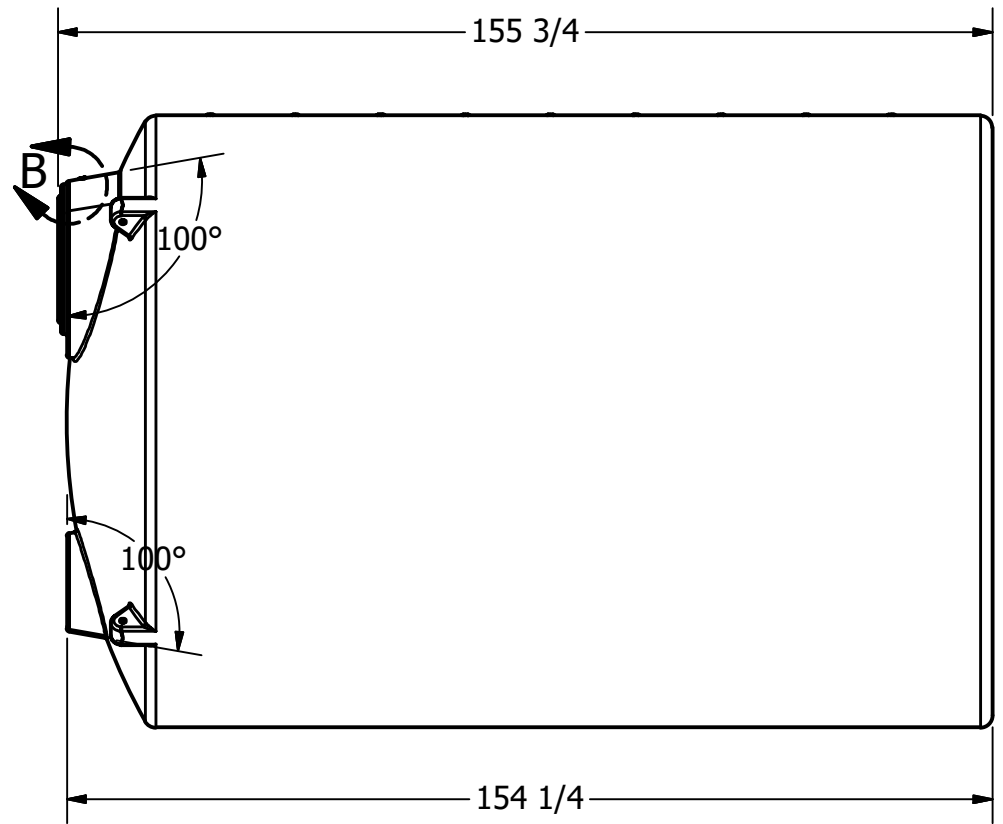



DETAIL B
SCALE 1 / 8



DETAIL A
SCALE 1 / 8

FOB FAIRFIELD, TX

REVISION HISTORY				
ZONE	REV	DESCRIPTION	DATE	APPROVED
	A	MODIFIED OVERALL HEIGHT	3/15/2018	
DRAWN	Jerry Paulson	10/7/2006	 NORWESCO, INC., ST. BONIFACIUS, MN TITLE 5000 GALLON VERTICAL INDUSTRIAL TANK	
CHECKED				
QA				
MFG				
APPROVED				
		SIZE	DWG NO	REV
		B		A
SCALE: 1/32			SHEET 1 OF 1	