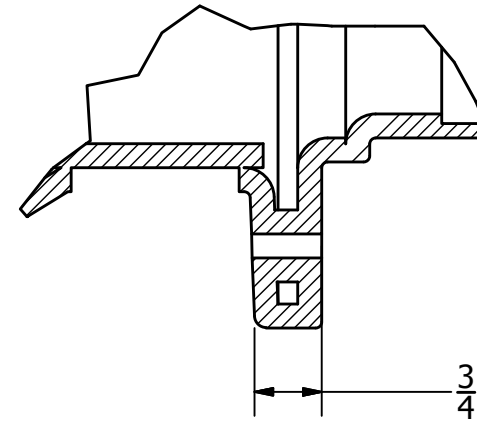
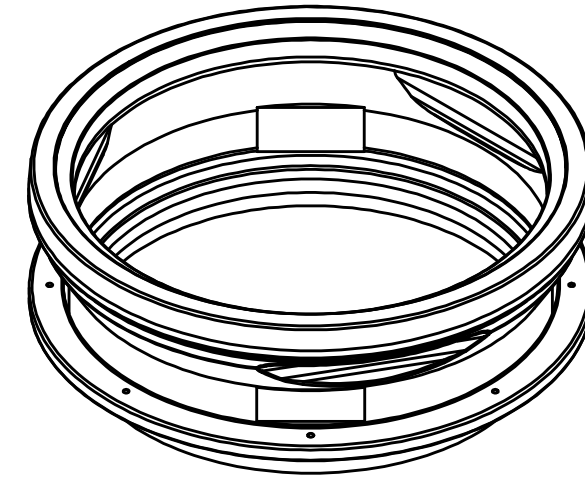



SECTION A-A
SCALE 1 / 8



DETAIL B
SCALE 1 / 2



| | | | | |
|----------------------|-----------|--|-----------------|----------|
| DRAWN Todd Bolzer | 3/29/2012 |  NORWESCO, INC., ST. BONIFACIUS, MN TITLE | | |
| CHECKED | | | | |
| QA | | 6 INCH LP MAN HOLE EXTENSION | | |
| MFG | | | | |
| APPROVED | | | | |
| | | SIZE B | DWG NO 63832 | REV A |
| | | SCALE: 1/16 | SHEET 1 OF 1 | |