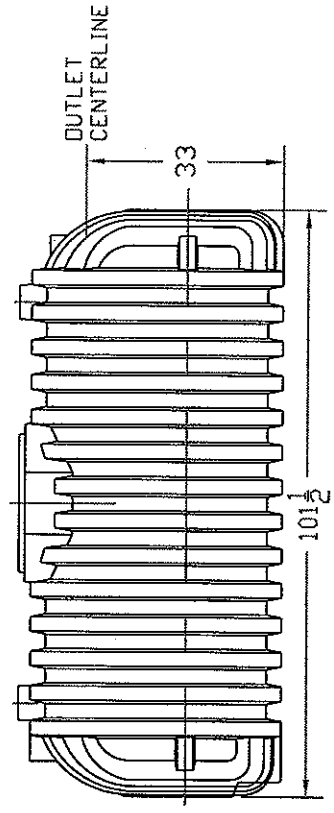
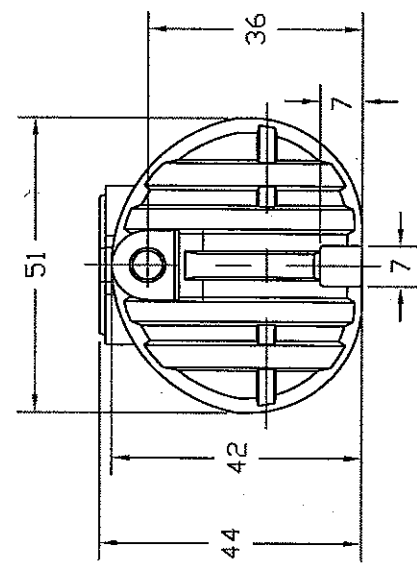
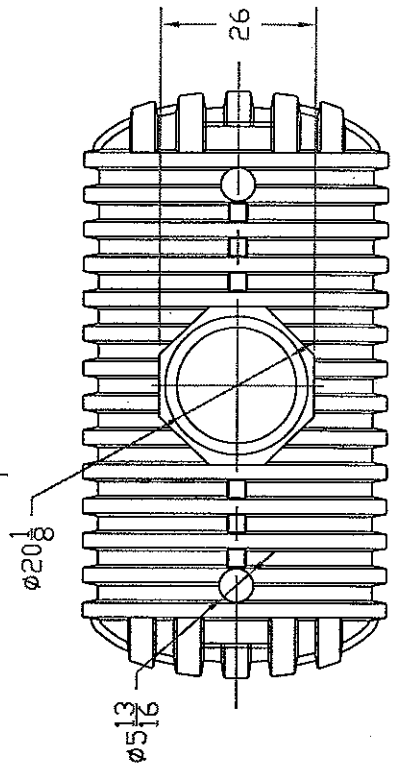
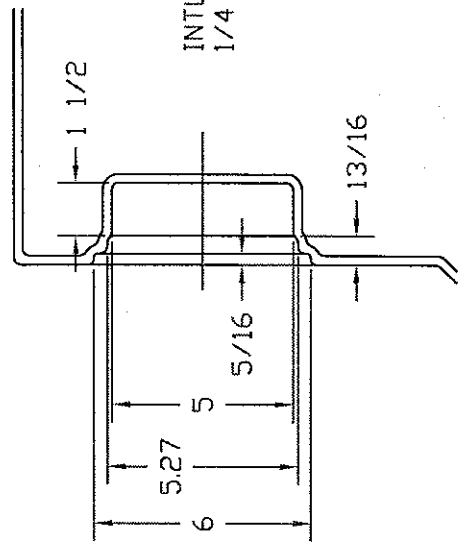


REVISIONS			
ZONE	REV	DESCRIPTION	DATE



NORWESCO
ST. BONIFACIUS, MN
600 GALLON CISTERN

JTP	21JAN03	SIZE	FSCM NO.	DWG NO.	REV
		B			