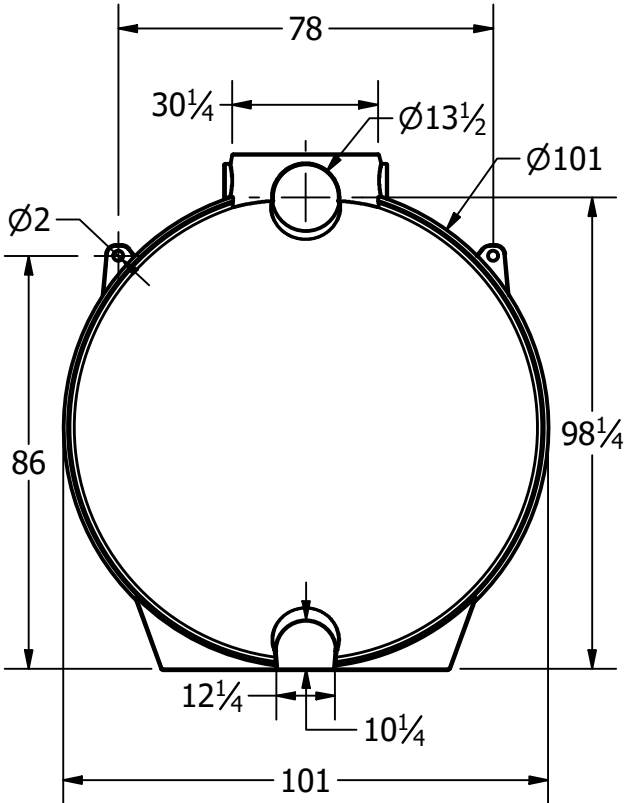
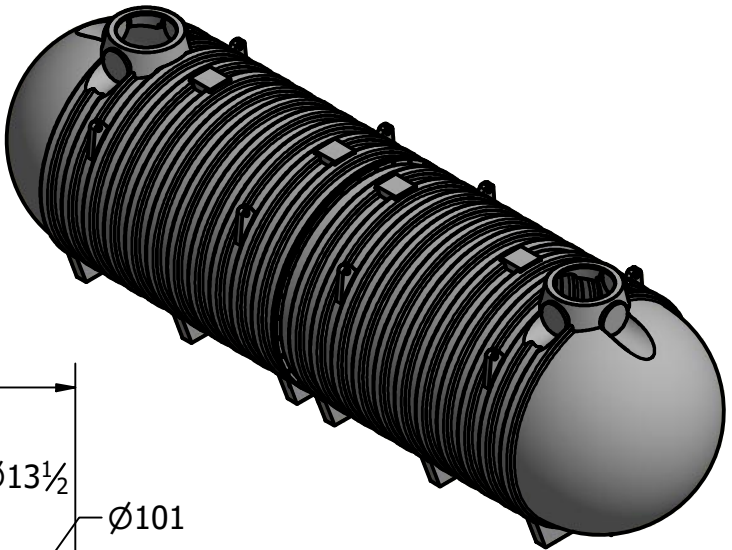
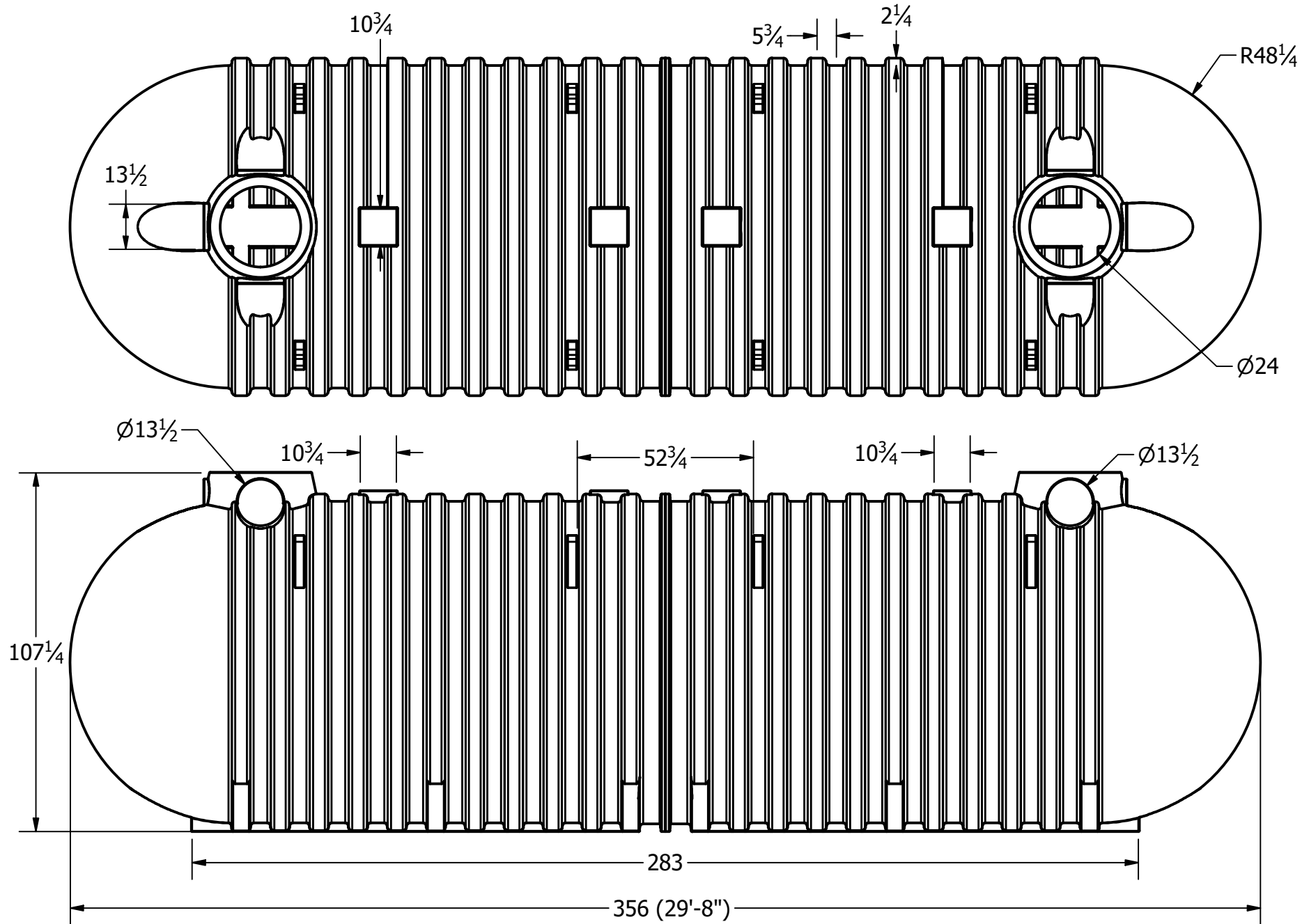



REVISION HISTORY			
REV	DESCRIPTION	DATE	AUTHOR
			Todd Bolzer



Material: HDPE  
 Total Volume: 10,000 US Gallons  
 Part Weight: 3000 lbs.  
 Wall Thickness: .625 in  
 Max Burial Depth" 24"

DRAWN Todd Bolzer	5/24/2019		
CHECKED		NORWESCO, INC., ST. BONIFACIUS, MN	
QA		TITLE	
MFG		10000 BELOW GROUND HOLDING	
APPROVED			
		SIZE B	DWG NO 45686
		SCALE: FULL	REV
		SHEET 1 OF 1	